

IKSEMICON Company Profile

2013. Feb

Fabless Design Company

- Eco Partner Of **Dongbu-HiTech**
- Fab Foundary In **Dongbu-HiTech, Magnachip, Integral**

Focusing Business Area

- LED Display for Home appliance
- LED Lighting
- Power Management Including DC-DC Converter.
- Automotive Area : Provide Total Solution.
 - Analog Mixed IC's, H/W, S/W as well.

R&D Oriented Management

- Re-Investment : Around 20% of annual revenue
- Around 30 different products development per year.

Establishment

June 01th. 1997

Employee

46 Staffs (including 25 Staffs in R&D)

Business Field

IC Design & Manufacture

HeadquarterRm.503, DMC Hi-Tech Industrial Center, Sangam-Dong,
Mapo-Gu, Seoul, Korea**Web Site**www.iksemi.com**Main Customer****Capital**

\$1.9M

	1 st Design Center	2 nd Design Center	Application Center
Main Role & Location	IC Design for Analog/Mixed Signal Seoul Korea	IC Design for Analog /Mixed Signal Minsk Belarus	Application S/W, H/W for Automotive and Home appliance Seoul Korea
Man Power	Schematic : 3 Layout : 4 Test : 2	Schematic : 4 Layout : 2 Staff : 2	S/W : 4 H/W : 2
Main Experience	DC-DC Controller Motor Controller LED Driver	Alternator Regulator PFC PWM PLL	RRC ADM/DDM DC-DC (for ISG) Immobilizer PVS

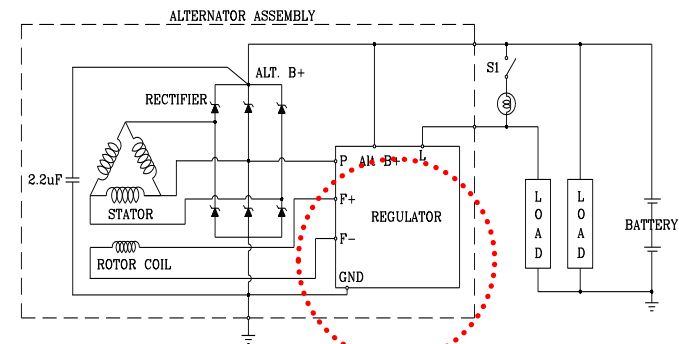
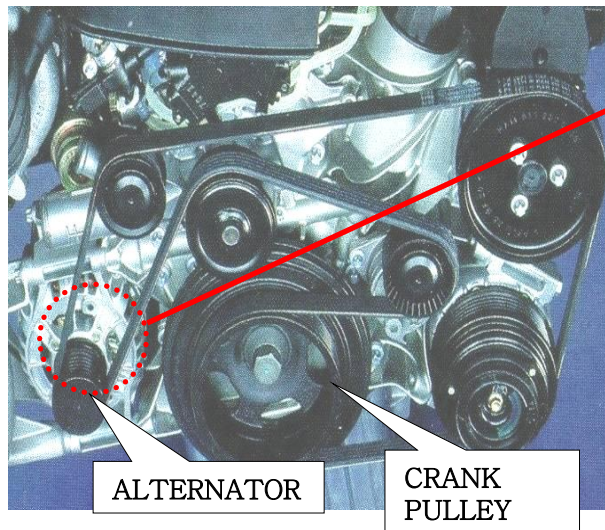
	2012	2013	2014
DRIVER IC	<p>10sg x 12dg, 30 key scan IK2108, SOP-32</p> <p>LED Driver based MCU (P) IK6208</p>	<p>DC-DC Converter +LED Driver IK6651</p> <p>3A BLDC Motor Driver IK6501</p>	<p>10sg x 16dg, 40key scan IK2109, LQFP 44</p> <p>PFC+LED Driver LED Driver IC</p>
POWER MANAGEMENT	<p>3A DC-DC Converter IK5302</p>	<p>5A DC-DC Converter IK5304</p> <p>PFC IK266</p>	<p>8A DC-DC Converter IK5305</p>
AUTOMOTIVE	<p>Power Folding IK8509</p> <p>Heating ASIC IK8002</p> <p>CAN/LIN Transceiver IK8301/8302</p> <p>Car CLOCK IC (P) IK6213</p>	<p>HLLD IK8508</p> <p>Alternator Regulator IK8001</p> <p>Smart Igniter IC</p> <p>Smart FET</p>	<p>4CH BLDC FULL BRIDGE FOR HVAC</p> <p>Smart Highside Controller(P) IK8401</p>

(P) : Platform

Product Introduction for Automotive

IK8001

- Application : Alternator Regulator
- M/P : 1Q/CY13
- Forecast : 2Mpcs/CY13
- Competitor : ST, Bosch

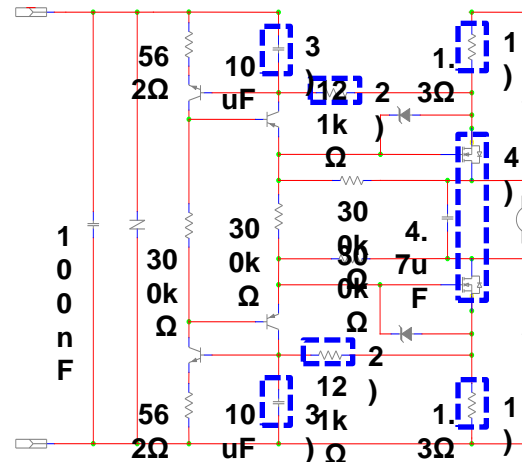
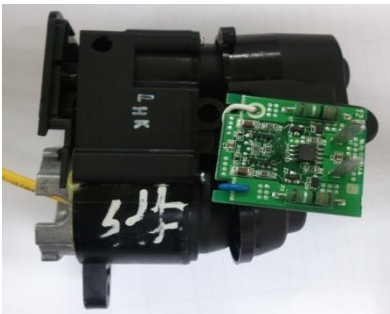


IK8509

- Application : Power Folding IC (Side Mirror)
- M/P : 4Q/CY12
- Forecast : 6Mpcs/CY13
- Competitor : OWN

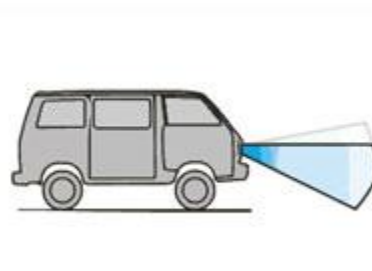


IK8509 Demo.mp4



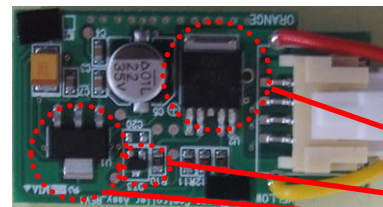
IK8508

- **Application : HLLD (Head Lamp Leveling Device)**
- **M/P : 1Q/CY13**
- **Forecast : 4Mpcs/CY13**
- **Competitor : Infineon, NXP**

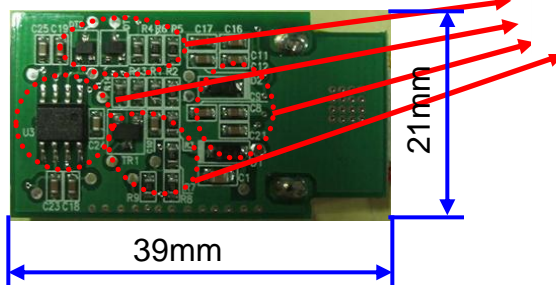


IK8002

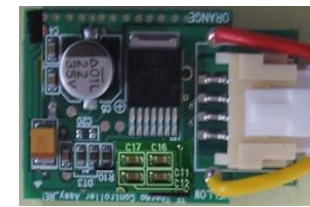
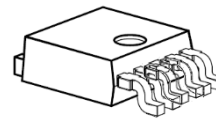
- Application : Car Heated Steering Wheel Controller ASIC
- M/P : 4Q/CY12
- Forecast : 1Mpcs/CY13
- Competitor : OWN



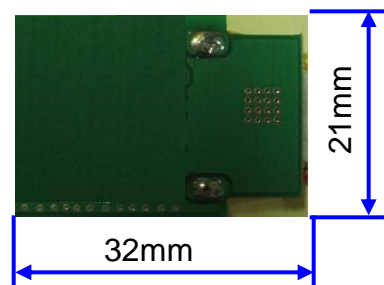
[PCB Front]



[PCB Rear]



[PCB Front]



[PCB Rear]

IN7100	VFD Driver for CMOS Automotive Digital Clock DIP-40 & MQFP-44
ILE4264-2G	Low-Drop Voltage Regulator, 5V/100mA, SOT-223 AEC-Q100 Qualified
IL33193	Automotive Direction Indicator, DIP-8 AEC-Q100 Qualify (Jan.13Y)
IL33197	Automotive Wash Wiper Timer, DIP-8 AEC-Q100 Qualify (Jan.13Y)
ILE4278	Low-Drop Voltage Regulator, 10V/150mA, PSOP-14 RESET, WDT Function AEC-Q100 Qualify (2Q.13Y)
IL33290	ISO K-Line Serial Link Interface
IL8190	Precision Air-Core Tach/Speedo Driver with Return to Zero