

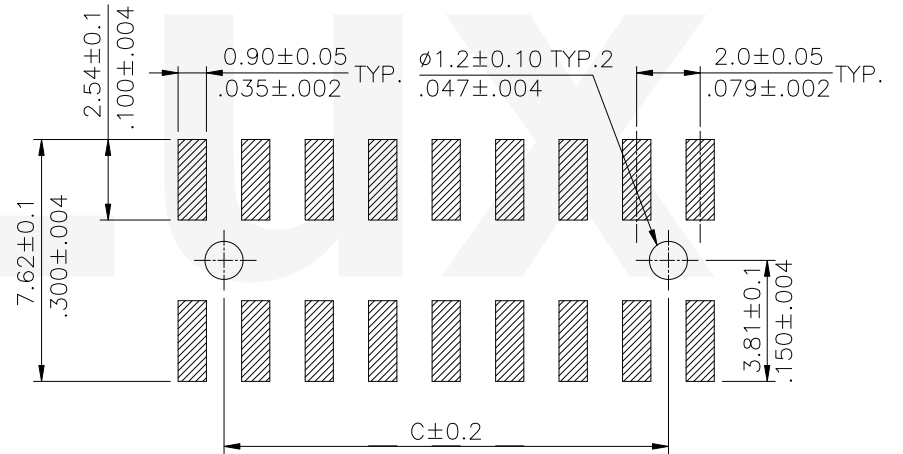
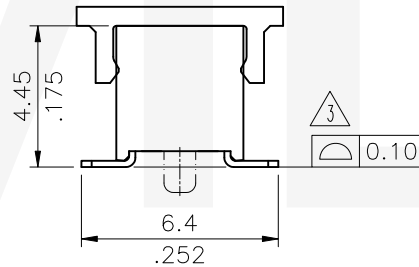
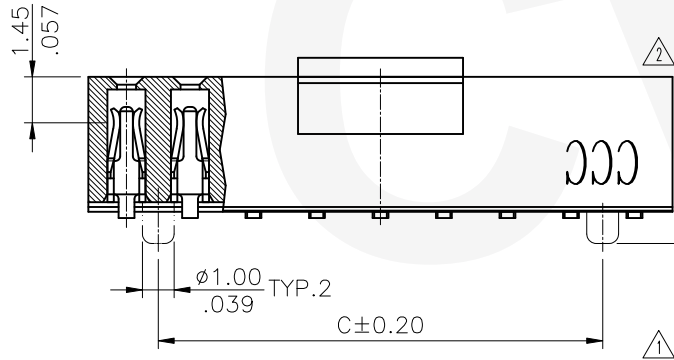
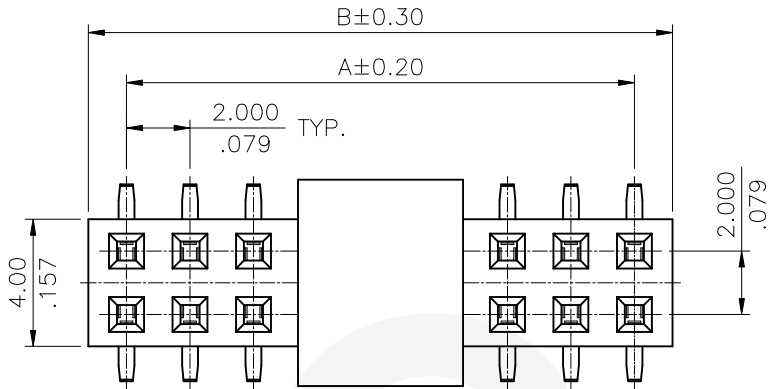
Notes:

- \* Insulation: High Temperature Plastic UL 94V-0(Halogen-Free)
- \* PAD: High Temperature Plastic UL 94V-0(Halogen-Free)
- \* Contact: Phosphor Bronze
- \* For Lead-Free IR Reflow process

Ordering Code:

CB74 \*\* 2 M 1 0 P -NH  
 ① ② ③ ④ ⑤ ⑥ ⑦ ⑧

- ① Series No.
- ② NO. of Circuits:  
2= Gold flash plated over 50μ" Nickel
- ③ Plating code:
- ④ Tail Style: M= SMT Type
- ⑤ Color: 1= Black
- ⑥ Option: 0= With Peg  
1= Without Peg
- ⑦ Other Options: P= With Pad (Reel Packing)
- ⑧ -NH= For Lead Free IR Processes and Halogen-Free




A = 2.00 \* No. of Spaces  
 B = A + 2.4  
 C = A - 2.0  
 \* Available in 4 through 80 circuits

Recommended P.C. Board Layout

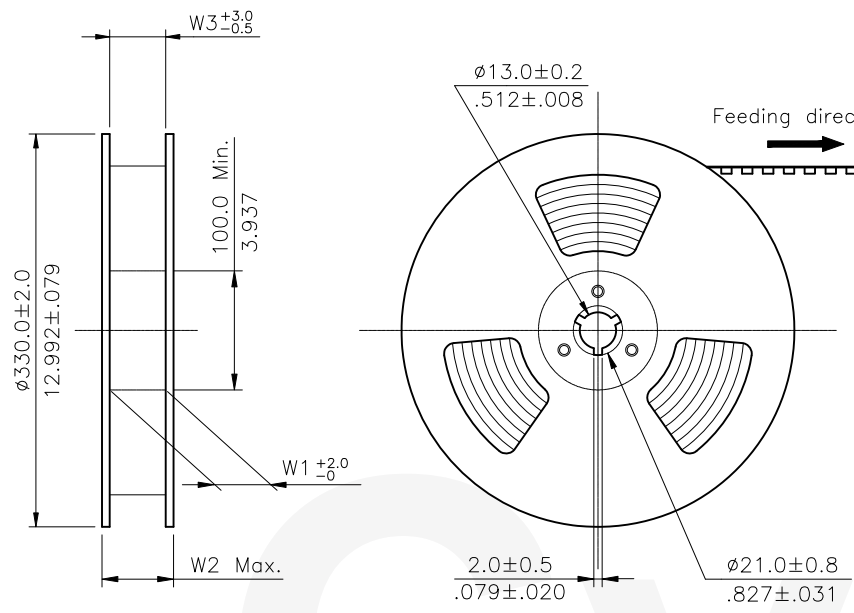
Lead Free Process

Halogen-Free

RoHS compliant

④	Sun	3/04-19'	ECNT119054/ECRB1190005		DATE	UNIT: mm / inch	TITLE: 2.00MM(.079") DUAL ROW BOARD MOUNT CONNECTOR	 瀚荃股份有限公司 CviLux Corporation	
③	Karen	9/05-16'	ECNT116154/ECRT116059	DRAWN BY: Sun	3/4-19'	TOLERANCE UNLESS OTHERWISE SPECIFIED	MATERIAL:		
②	Sun	3/18-16'	ECRB116016/ECNT116053	ENGINEER: Sun	3/4-19'	.X ± 0.30 / .012    .X' ± 1"			
①	Sandy	3/24-15'	ECNT115057	CHECKED BY: Eisley	3/7-19'	.XX ± 0.20 / .008    .X' ±	FINISH:		
SYM	NAME	DATE	REVISIONS	APPROVED BY: Eisley	3/7-19'	.XXX ± 0.10 / .004    .XX' ±	DRAWING NO. CB7427SE	PART NO. CB74**2M1*P-NH	
								SCALE 4 / 1	SHEET 1 OF 2

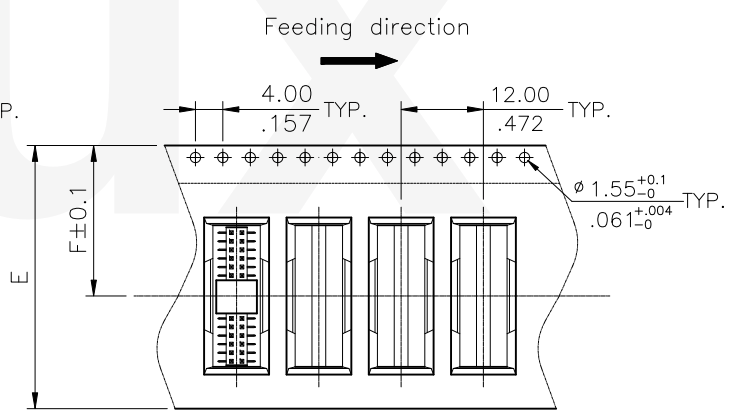
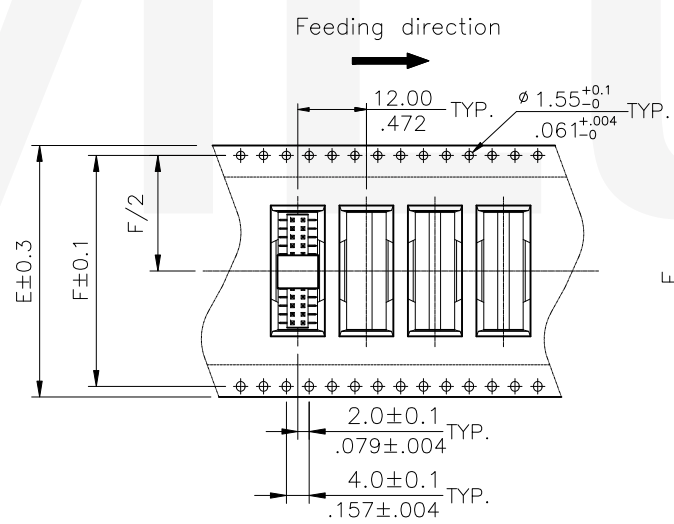
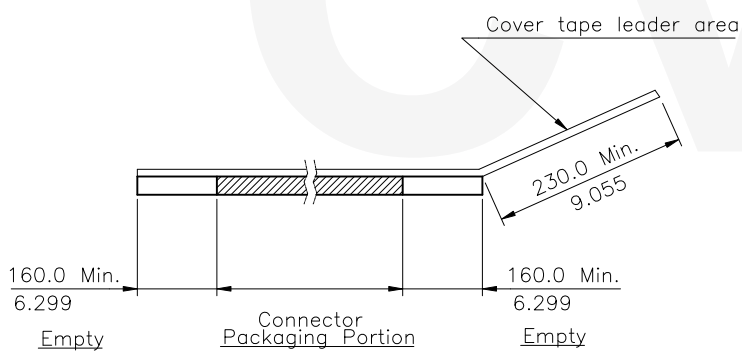
CIVILUX CORP  
 2019.03.14  
 ISSUED



NOTE :

- \* Reel Material : Corrugated Paper
- \* Carrier Material : Transparent Conductive Polysyrene
- \* Cover Tape Material : Polyester
- \* Cover Tape Peel Strength : 0.1N – 1.3N
- \* Carrier camber is within 1mm in 100mm
- \* All dimensions meet EIA-481-C requirements.
- \* Quantity : 800 PCS/Reel

Circuits	Dimension					Packing (Reel/Carton)
	E	F	W1	W2	W3	
2-6	16.0(.630)	7.5(.295)	16.5(.650)	22.5(.886)	16.5(.650)	11
8-14	24.0(.945)	11.5(.453)	24.5(.965)	30.5(1.200)	24.5(.965)	9
18	32.0(1.260)	28.4(1.118)	32.5(1.280)	38.5(1.516)	32.5(1.280)	7
16,20-30	44.0(1.732)	40.40(1.591)	44.5(1.752)	50.5(1.988)	44.5(1.752)	5
32-42	56.0(2.205)	52.4(2.063)	56.5(2.224)	62.5(2.461)	56.5(2.224)	4
44-58	72.0(2.835)	68.4(2.693)	72.5(2.855)	78.5(3.091)	72.5(2.855)	3
60-74	88.0(3.465)	84.4(3.323)	88.5(3.485)	94.5(3.720)	88.5(3.485)	3
76-80	104.0(4.094)	100.4(3.953)	104.5(4.114)	110.5(4.350)	104.5(4.114)	2



WIDTH : 32,44,56,72,88,104 mm Carrier

WIDTH : 16,24 mm Carrier

RoHS Compliant

4	Sun	3/04-19'	ECNT119054/ECRB1190005		DATE	UNIT: mm / inch	TITLE: 1.00mm(.039") LIF FPC/FFC SURFACE MOUNT CONNECTOR	 瀚荃股份有限公司 CviLux Corporation
3	Karen	9/05-16'	ECNT116154/ECRT116059	DRAWN BY: Sun	3/4-19'	TOLERANCE UNLESS OTHERWISE SPECIFIED	MATERIAL:	
2	Sun	3/18-16'	ECRB116016/ECNT116053	ENGINEER: Sun	3/4-19'	.X ±      .X' ± I'		
1	Sandy	3/24-15'	ECNT115057	CHECKED BY: Eisley	3/7-19'	.XX ±     .X ±	FINISH:	
SYM	NAME	DATE	REVISIONS	APPROVED BY: Eisley	3/7-19'	.XXX ±    .XX ±	SCALE	DRAWING NO. <b>CB7427SE</b> PART NO. <b>CB74**2M1*P-NH</b>
								SHEET 2 OF 2

**CVILUX CORP**  
**2019.03.14**  
**ISSUED**