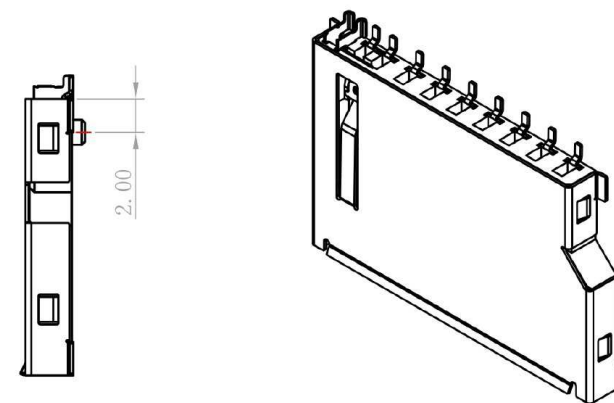
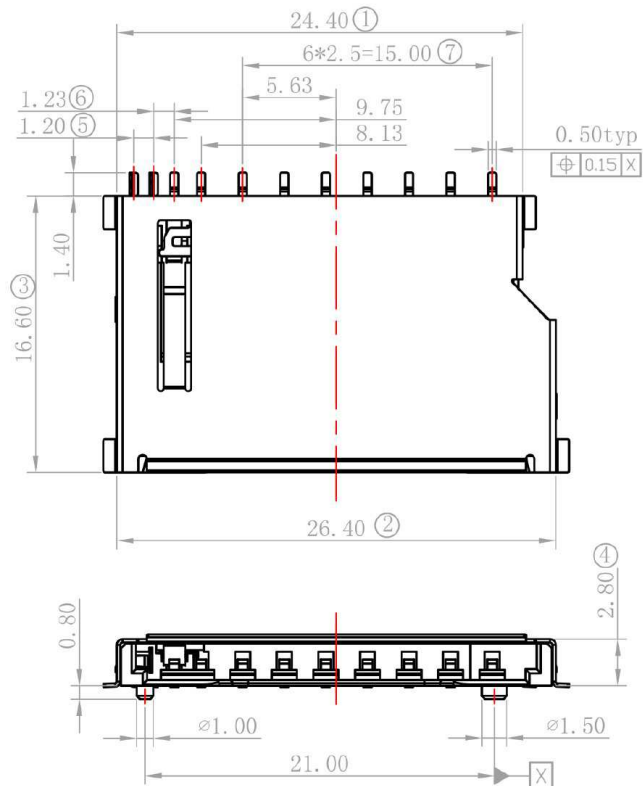
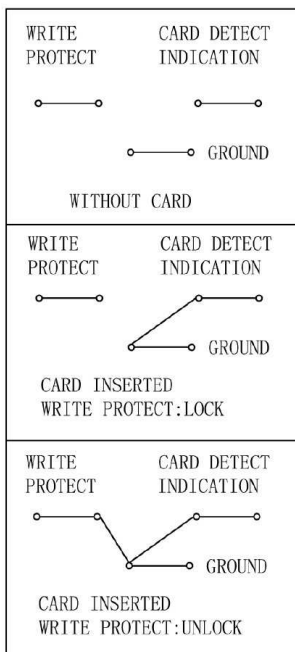


CIRCUIT:



1. MATERIAL:

- 1.1 INSULATOR: LCP, UL94V-0; COLOR: NATURE/BLACK.
- 1.2 CONTACT: BRASS, T=0.20mm
- 1.3 SHELL: BRASS/SPTE, T=0.20mm

2. FINISH:

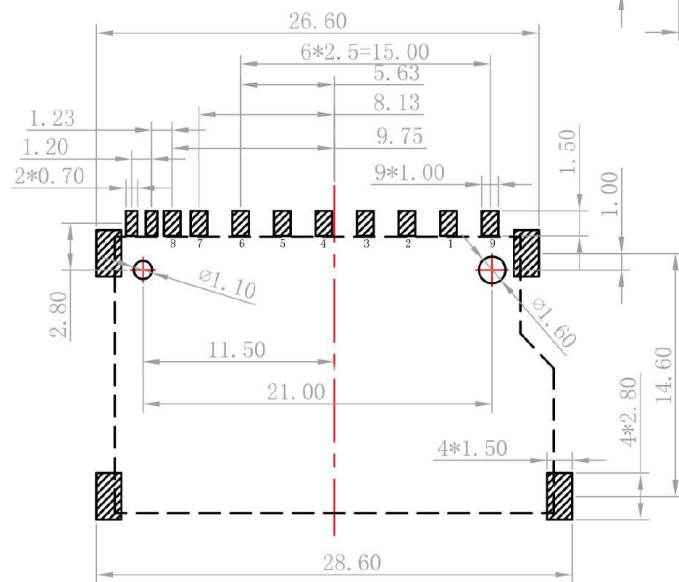
- 2.1 CONTACT: GOLD FLASH PLATED IN CONTACT AREA ;  
50u" MIN. TIN PLATED IN SOLDER AREA  
30u" MIN. NICKEL UNDERPLATED OVERALL.
- 2.2 SHELL: 50u" MIN. NICKEL PLATED OVERALL.

3. ELECTRICAL CHARACTERISTICS

- 3.1 CURRENT RATING: AC/DC 0.5A.
- 3.2 CONTACT RESISTANCE: 20mΩ MAX.
- 3.3 INSULATION RESISTANCE: 100MΩ MIN DC 500V.
- 3.4 DIELECTRIC WITHSTANDING VOLTAGE: AC 500V PER MINUTE.
- 3.5 OPERATING TEMPERATURE: -25° C ~ +85° C.

4. NOTES:

- 4.1 THIS COMPONENT AND ITS HOMOGENEOUS SUBCOMPONENTS ARE RoHS2.0 COMPLIANT.
- 4.2 RESISTANCE TO SOLDERING HEAT: 265±5° C FOR 10 SECONDS.
- 4.3 COPLANARITY IS 0.1MM MAX



RECOMMENDED P. C. B HOLE LAYOUT  
COMPONENT SIDE VIEW (TOLERANCE: +/-0.05)

## CONNTHERM Co.,Ltd

<b>TOLERANCE:</b> X.X ±0.30 X.XX ±0.25 X.XXX ±0.15 X.' ±Z' X.X' ±0.5'	<b>DRAWN BY :</b> _____	<b>DATE :</b> 2013-09-02	<b>PART NAME:</b> Card-SDS01G-WE	
	<b>CHECKED BY:</b> _____	<b>DATE :</b> 2013-09-02	<b>PART NO.</b> _____	<b>MOLD NO.</b> _____
 <b>UNIT: mm [inch]</b>	<b>APPROVED BY:</b> _____	<b>DATE :</b> 2013-09-02	<b>DRAW NO:</b> _____	<b>SHEET NO.</b> 1 OF 1
<b>SCALE: 1:1</b>	<b>SIZE: A4</b>			