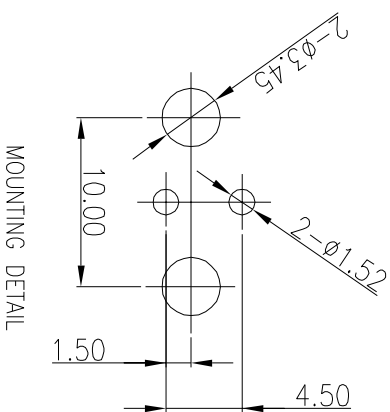
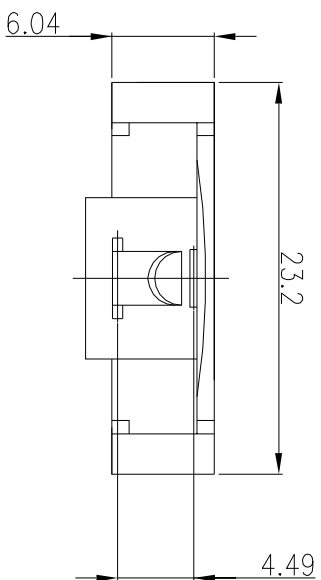


REV.	DESCRIPTION	REVISED	DATE
A	NEW PRODUCT	GB	-

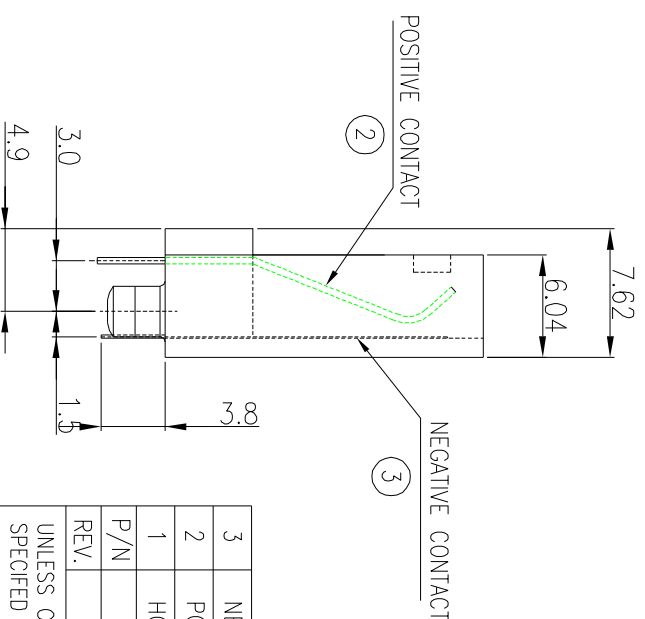
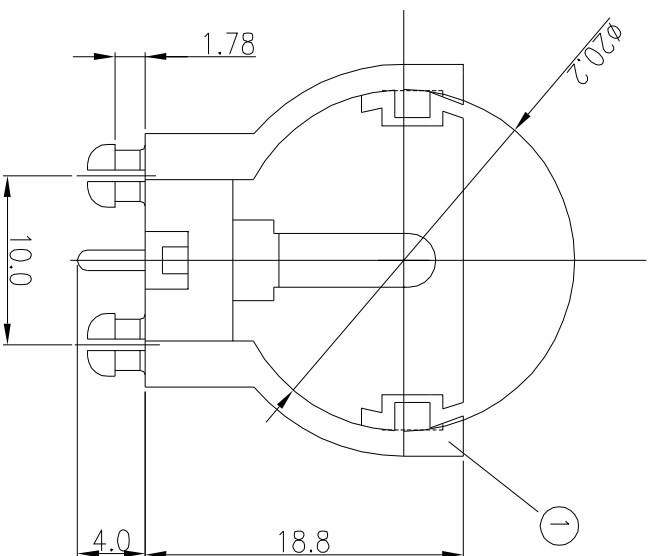


MOUNTING DETAIL

SPECIFICATIONS:  
 ELECTRICAL PERFORMANCE  
 1.RATING: DC 3V,120mA.  
 2.INTER-CONTACT RESISTANCE: 100m OHM MAX. AT BOTH THE POSITIVE AND NEGATIVE TERMINALS WHEN MEASURED BETWEEN THE TERMINALS OF THE CR2032 AT 1KHZ WITH LOW DRAINAGE(100mA MAX.)  
 3.INSULATION RESISTANCE: 100M OHM MIN. WITH DC 500V APPLIED BETWEEN THE POSITIVE AND NEGATIVE TERMINALS.  
 4.VOLTAGE DURABILITY: NO DEGRADATION WITH DC 500V APPLIED FOR ONE MINUTE BETWEEN THE POSITIVE AND NEGATIVE TERMINALS.

MECHANICAL PERFORMANCE:

1.BATTERY INSERTION FORCE: 0.3KG~1.0KG FOR THE INITIAL CR2032 BATTERY INSERTION.  
 2.SPRING PRESSURE: 50G MIN. INITIAL CONTACT FORCE AT POSITIVE AND NEGATIVE TERMINALS.  
 3.TERMINAL STRENGTH: ELECTRICAL AND MECHANICAL PERFORMANCE SPECIFICATIONS SHOULD STILL BE SATISFIED WITHOUT TERMINAL CRACKING OR EXCESSIVE PLAY WITH A STATIC LOAD OF 1KG APPLIED TO THE TERMINALS IN ANY DIRECTION. HOWEVER,THE TERMINAL MAY BEND.



3	NEGATIVE CONTACT	1	BRASS 0.2T	TIN PLATED	N/A
2	POSITIVE CONTACT	1	PBSR-H 0.4T	TIN PLATED	N/A
1	HOUSING	1	P.B.T	BLACK	UL94V-0
P/N	PART NAME	Q'TY	MATERIAL	PLATING&COLOR	REMARKS
REV.	A	APPROVAL BY	CHECKED BY	DRAWD BY	UNITS
UNLESS OTHERWISE SPECIFIED TOLERANCES					
DECIMALS:	ANGLES:	PROJECTION	PRODUCT	DRAWING NO.	SCALE
X :±0.5	X :±2°		BATTERY HOLDER	BH3-2032-01	1:1
X.X :±0.3	X.X :±1°		IDITECH CORPORATION		
X.XX±0.2			艾迪國際科技股份有限公司		