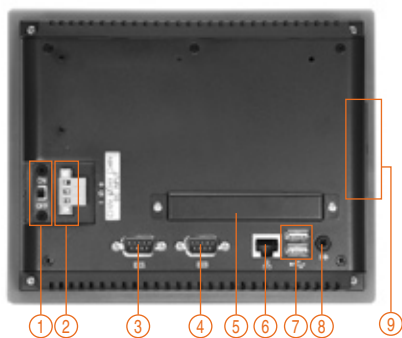


GOT-3570T

5.7" QVGA TFT Compact Fanless Touch Panel Computer



- | | | |
|-----------------------|---------------------------|---------------------|
| 1. Power switch | 4. COM 1 (RS-232/422/485) | 7. USB 2.0 x 2 |
| 2. DC power connector | 5. PC/104 slot | 8. Audio (Line-out) |
| 3. COM 2 (RS-232) | 6. Ethernet | 9. CompactFlash™ |



Side view

Features



- 5.7" QVGA (320 x 240) 450 nits color TFT LCD
- Fanless cooling system with AMD Geode LX800 500 MHz processor
- Supports WLAN antenna (optional)
- Easy for expansion: PC/104, MiniPCI
- Embedded OS: Windows® CE.NET supported

Introduction

The GOT-3570T is a 5.7" fanless touch panel computer. It adopts AMD Geode LX800 500 MHz processor and fanless cooling system. With CISC-base low power consumption processor, AMD LX800 500 MHz, the GOT-3570T greatly improves the performance such as hardware expansion, operating function and storage. Besides, the GOT-3570T is equipped with PC/104 and provides one MiniPCI slot for expansion and is the best solution for factory automation, machine maker and building automation.

High performance and 450 nits TFT LCD

In response to market demand, the GOT-3570T adopts CISC-base AMD Geode LX800 500 MHz processor and 450 nits display. Unlike the traditional RISC-base product, the GOT-3570T has greatly improved I/O expansion, operating performance and storage capability.

Easy to extend: PC/104 & Mini PCI & WLAN antenna (optional)

The GOT-3570T is equipped with PC/104 slot for communication expansion such as serial ports, DIO/AIO points and LAN port. Besides, it also provides MiniPCI slot for wireless expansion. By simply plugging in the wireless LAN card, customers can use the GOT-3570T in wireless environment.

Easy to plug: CF card design

The GOT-3570T is designed with the concept of easy-to-update. User can update the newest WinCE.NET image just by changing CF card from its easy-to-plug CF slot.

Specifications

Front Bezel	IP65, NEMA 4 rugged protection, plastic front bezel		BIOS	Award 4Mbit with RPL/PXE LAN boot ROM, Smartview and customer CMOS backup
LCD Panel	Display Type	5.7" QVGA TFT LCD	Storage	1 x CompactFlash™
	Brightness (cd/m ²)	450 nits	Watchdog Timer	255 levels, 0-255 sec.
	Resolution	320 x 240	Onboard Graphics	Integrated in AMD LX chipset
	Viewing Angle (H/V)	120° / 100°		
Main System	CPU	AMD Geode LX800 500 MHz		
	Chipset	AMD LX + CS5536AD		
	System Memory	1 x 200-pin DDR SODIMM min 256MB, max. up to 512 MB		

I/O Connector	1 x RS-232 (COM 2) 1 x RS-232/422/485 (COM 1) 2 x USB 2.0 1 x 10/100Mbps Ethernet 1 x Audio (Line-out)
Expansion Interface	1 x MiniPCI slot 1 x PC/104 slot
Touchscreen	Resistive type
Power Supply	24V _{dc} , 55W, w/ fuse power protection
Dimensions	208.5 mm (8.21") (W) x 59.5 mm (2.34") (D) x 167.3 mm (6.59") (H)
Weight (net/gross)	1.3 kg (2.87 lb)/2 kg (4.4 lb)
Environment	Operating temperature: 0°C ~ +50°C (32°F ~ 122°F) (in airflow condition) 0°C ~ +45°C (32°F ~ 113°F) Relative humidity: 10% ~ 95% @ 40°C; non-condensing Operation vibration (w/o expansion): 2G, 5 ~ 500Hz, random for CompactFlash™
Certification	CE

Ordering Information

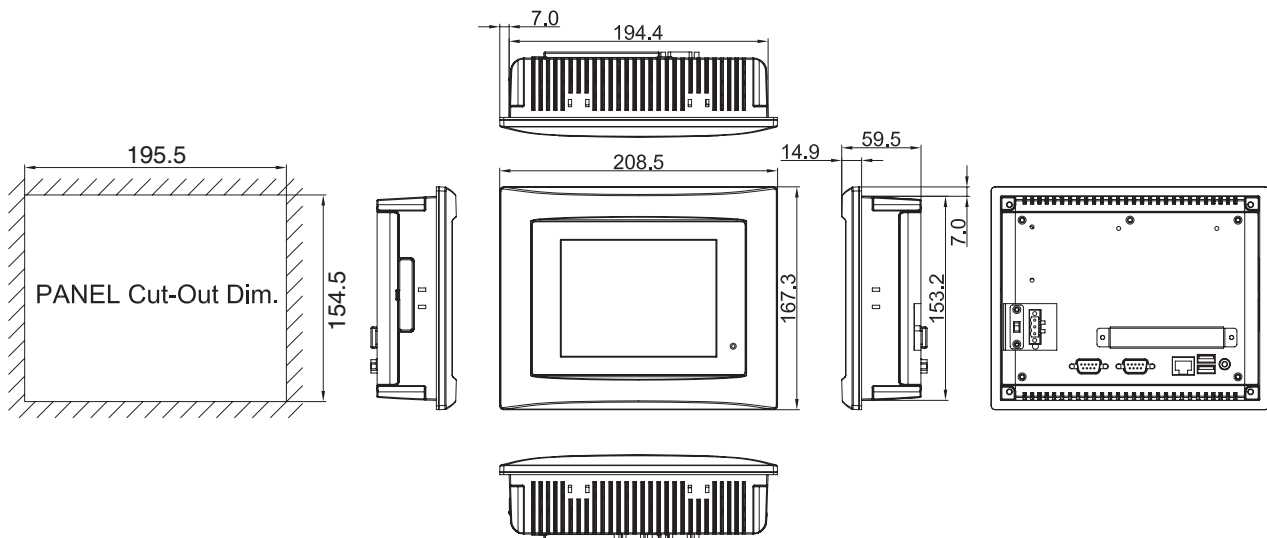
GOT-3570T	5.7" QVGA TFT compact fanless touch panel computer
E223570102	1 x PC/104 slot
E223570103	2 x PC/104 slot
50966A23030E	Power adapter, 72W, 110-230V _{ac} to 24V _{dc}
Wireless kit	802.11 b/g wireless LAN kit

* Specification and certifications are based on options and may vary.

Optional EOS Installation

Windows® CE.NET

Dimensions



Touch Panel Computers for Various Industry Applications

Digital Signage and Display Solutions

Medical Panel Computers

Medical Grade Monitors

GOT Fanless Touch Panel Computers

Touch Panel Computers for Infotainment

Touch Panel Computers for Automation

Touch Panel Monitors for Automation

Open Frame Panel Computers

Accessories