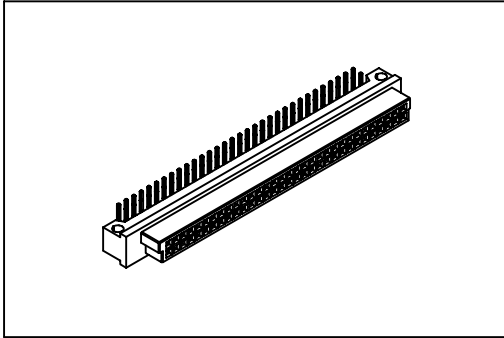


9001 Series

DIN41612 Q Type Female



Material:

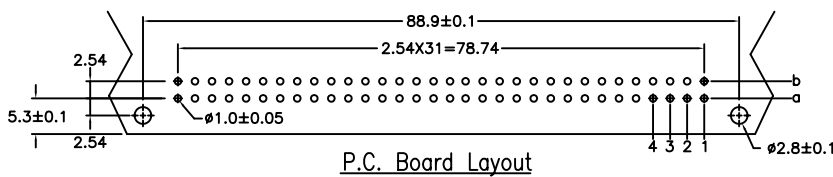
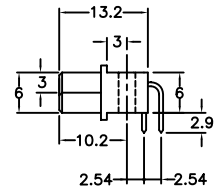
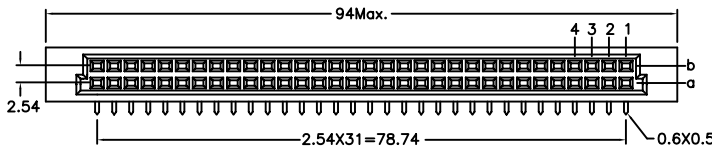
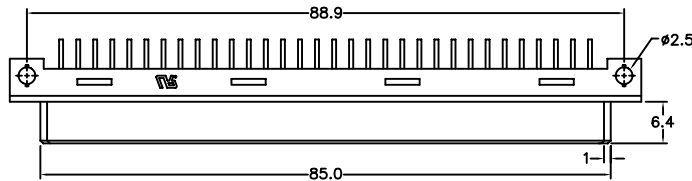
Housing: 30% Glass filled PBT UL94V-0.
 Contacts: Phosphor Bronze.

Electrical Characteristics:

Current Rating: 2 AMP.
 Dielectric Withstanding Voltage: AC 1000V For 1 minute.
 Insulator Resistance: 1000MΩmin. at DC 500V.
 Contact Resistance: 30mΩmax. at DC 100mA.
 Operating Temperature: -55°C ~ +105°C.

Features:

- * UL, cUL listing.
- * Mates with Male 2Row
 9001-3364, 3332 Q Type.
 9001-3164, 3132 B Type.



Pitch	Position	Rows with Contacts	Contact Arrange
2.54mm	64	a b	
	32	a -	
5.08mm	32	a b	
	16	a -	

Ordering information

9001- 3 4 64 1 C 00 L1 A
 Series 3: 2.54mm 4: Female Position 1: Dip Length C: Dip Tin 00: G/F Blank: W/O Lock A: Tray
 4: 5.08mm Contact Gold 10: 10 μ" L1: With Lock Package
 G: Gold 15: 15 μ" See Page CA04
 30: 30 μ"

*Standard Gold Flash.