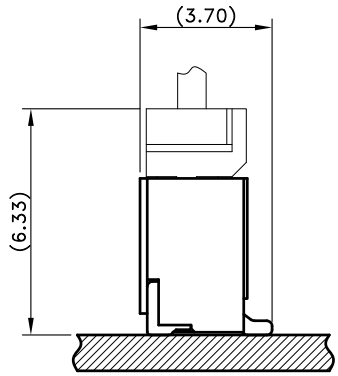
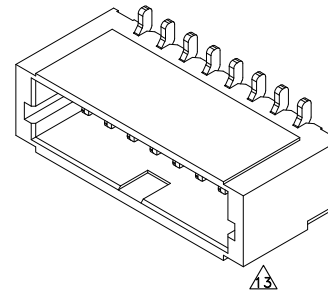


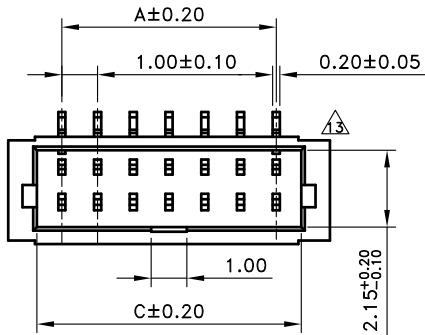
RECOMMEND PCB LAYOUT  
General tolerance ±0.05



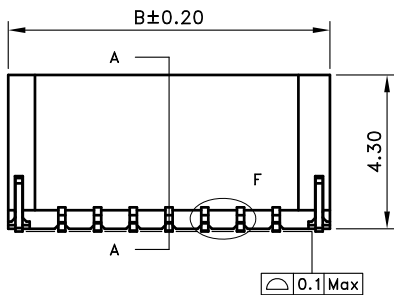
ASSEMBLED ALL PART VIEW



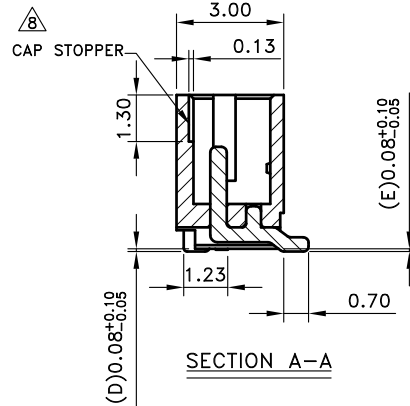
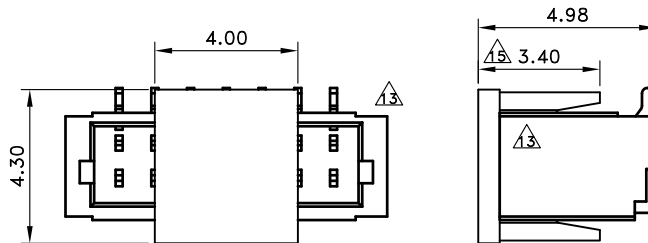
3D VIEW



ASSEMBLED CAP VIEW



DETAIL F (SCALE 2:1)



SECTION A-A

- SPECIFICATIONS
- ▲ Current Voltage : 50V AC/DC
  - Current Rating : 1 A AC/DC
  - Withstanding Voltage : 500V AC/minute
  - Insulation Resistance : 100MΩ min
  - Temperature Range : - 25°C to + 85°C
  - Contact Resistance : 20mΩ max

■ WAFER (SMT Type)

- Part No. : JS-1254-XX (XX)-XX-XX
- Code No. : ① ② ③ ④

- ▲ ① Poles : 02-22
- ② Plated :  
Blank : Tin Plated  
▲ G&G0 : Gold Plated ▲  
NM : Matte-Tin Plated ▲
- ③ Base Color :  
Blank : Nature  
BK : Black
- ④ Base Material :  
Blank : Nylon 9T UL94V-0  
HF : Nylon 6T/66 UL94V-0(Halogen Free) ▲  
L5 : LCP UL94V-0(Halogen Free) ▲  
▲ NH : Nylon 6T/66 UL94V-0(Halogen Free)

- Material :  
1. Contact : Phos. Bronze  
2. Solder Tab : Brass  
3. Base : Refer the above options
- Q' ty : 1,000 pcs./Tube
- Q' ty : 1,000 pcs./Reel /With Cap  
※ Note : Cap Stopper for Fixed Position

Poles	Dimensions (mm)			Poles	Dimensions (mm)		
	A	B	C		A	B	C
2	1.00	4.00	2.45	13	12.00	15.00	13.45
3	2.00	5.00	3.45	14	13.00	16.00	14.45
4	3.00	6.00	4.45	15	14.00	17.00	15.45
5	4.00	7.00	5.45	16	15.00	18.00	16.45
6	5.00	8.00	6.45	17	16.00	19.00	17.45
7	6.00	9.00	7.45	18	17.00	20.00	18.45
8	7.00	10.00	8.45	19	18.00	21.00	19.45
9	8.00	11.00	9.45	20	19.00	22.00	20.45
10	9.00	12.00	10.45	21	20.00	23.00	21.45
11	10.00	13.00	11.45	22	21.00	24.00	22.45
12	11.00	14.00	12.45				



喬訊電子工業股份有限公司  
CHYAO SHIUNN  
ELECTRONIC INDUSTRIAL LTD.

PART NO JS-1254-XX(XX)-XX-XX

1.00mm WIRE TO BOARD CONNECTOR, SMT & STRAIGHT

APPROVED BY	SCALE	UNIT	TOLERANCE	LTR	REVISION RECORD	NAME	DATE	LTR	REVISION RECORD	NAME	DATE
張育瑞		mm	.0 ±0.30	▲	新增CAP STOPPER位置說明	黃科源	2009/05/07	▲	增CAP尺寸標示	吳弘文	2013/12/06
CHECKED BY	PROJ	VER NO.	.00 ±0.20	▲	新增無齒選項並合併圖面	金飛	2010/11/01	▲	增加電鍍規格G0及修改NH用料	黃廣珍	2014/03/04
周家慶	⊕	a16	.000 ±0.10	▲	新增LCP材料	王誠賢	2012/05/29				
DRAWN BY	DATE	SIZE	ANGLE	▲	新增NH選項及修改原NH為HF	林謙豪	2012/06/07				
黃廣珍	2014/03/04	A4	0° ±1°	▲	修正編碼選項	吳弘文	2013/02/25				
			0° ±	▲	修改接地片位置	黃廣珍	2013/04/19				
			SHEET 1/1	▲	增列額定電壓	吳弘文	2013/08/08				

CUSTOMER  
Conforms to The RoHS Instruction