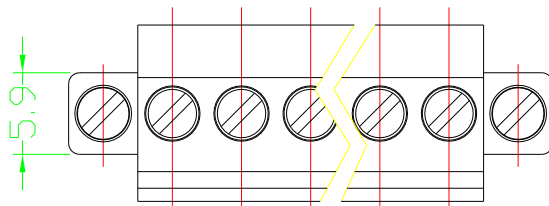
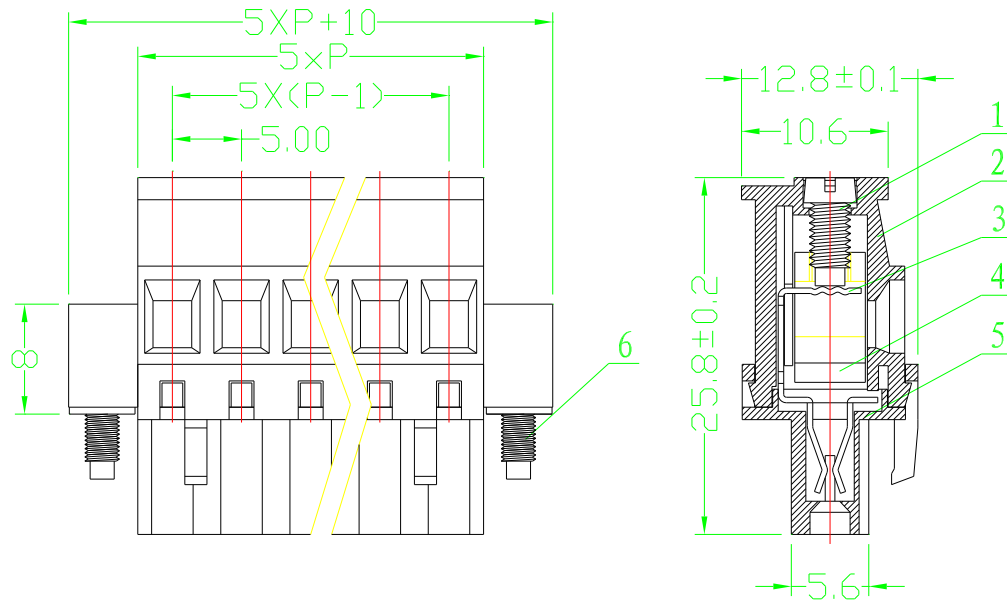


序号/RevNo.	名称/Title	文件编号/File No.
1	XY2500F螺丝(B)	QJ/XYT-21158
2	XY2500FAVS塑件主体	QJ/XYT-21228
3	XY2500F簧片(B)	QJ/XYT-21156
4	XY2500F铜方块(B)	QJ/XYT-21157
5	XY2500FAV塑件后盖	QJ/XYT-21229
6	XY2500耳朵螺丝(B)	QJ/XYT-21159



250V 12A 2.5mm²

Poles: Any poles (2P-22P)

Pitch: 5mm&10mm

Materials

Housing: Polyamide 6.6

Clamp: Phosphor Bronze, 0.4t, Tin Plated.

Wire Cage: Brass, Nickel Plated.

Screw: M3.0xM2.5, Steel, Zinc Plated.

设计/Designed by	绘图/Drawing by	审核/Checked by	批准/Approved by	未注公差 General Tolerance			
 XINYA ELECTRONIC CO., LTD				x.	± 0.2	x."	$\pm 2^\circ$
				.x	± 0.1	.x"	$\pm 1^\circ$
				.xx	± 0.05	.xx"	$\pm 0.5^\circ$
				.xxx	± 0.01		
图名/Title		文件编号/File No.					
XY2500F-AVS		QJ/XYT-22097					
产品图		页序/Sheet					
备注/Remark				单位/Units: mm			

序号/RevNo.	更改记录/Revision note	签名/Signature	日期/Date