

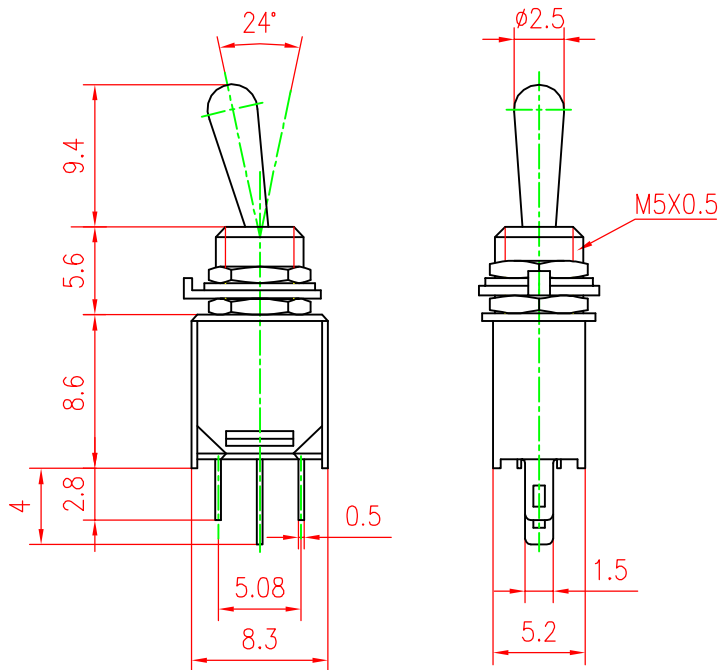
# Sub-Miniature Toggle Switch

(TYPE): SMTS-102-2A1

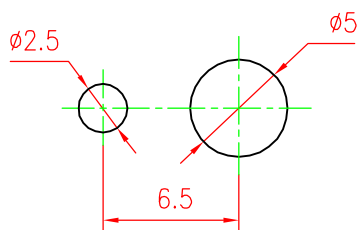
## Specification

- 1.(Rating): 3A 125V AC; 1.5A 250V AC
- 2.(Contact R): 20 OHM  $\rho$ max
- 3.(Insulation R): 500V DC 1000 OHM $\rho$  min
- 4.(Dielectric Strength): 1 Minute 1000V AC
- 5.(Operating Temperature):  $-20^{\circ}\text{C}+65^{\circ}\text{C}$
- 6.(Electrical Life): 20.000 Cycles

## Outline Drawing



## Mounting



## Circuitry

