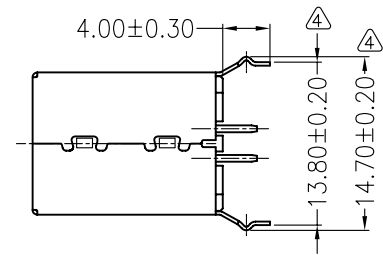
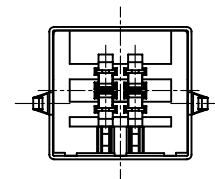
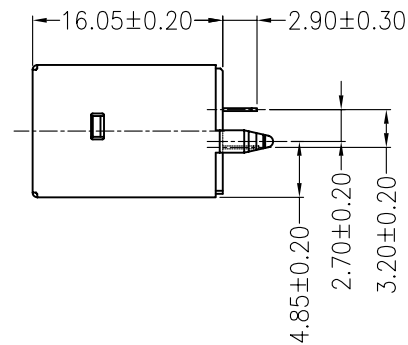
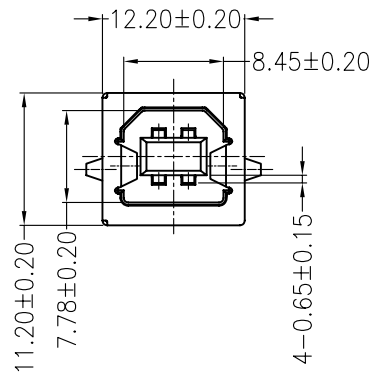


REV	DESCRIPTION	DATE	ECN NO.	CHANGER
A/4	Modify Dim. Tolerance	11.06.16	2011132	Sally
A/5	Modify Drawing	11.12.01	2011256	Bob



Specification

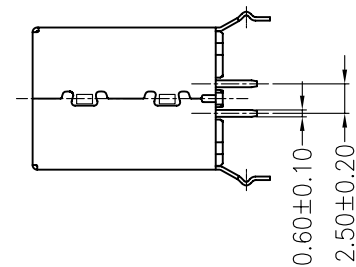
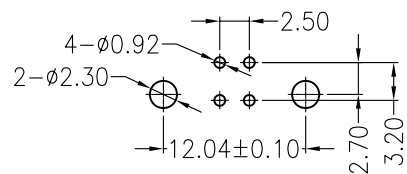
- 1.Voltage Rating:30V AC
- 2.Current Rating:1.5AMP.
- 3.Insulation Resistance:1000M $\Omega$  Min.
- 4.Contact Resistance:30m $\Omega$  Max.
- 5.Dielectric Withstanding Voltage:500V AC
- 6.Temperature Range:-20 $\Delta$ C to +60 $\Delta$ C
- 7.Insertion Force:35N Max.
- 8.Extraction Force:10N Min.



P/N NOTE:

USB-B1D118F-XX4X

- Shell plate spec:  
T=Tin plated, N=Nickel plated
- Housing colour:  
B=Black, N=Nature, W=White
- Contact plate spec:  
0=FU", 1=3U", 2=6U",  
3=15U", 4=30U"



RECOMMENDED P.C.B HOLE LAYOUT  
TOP VIEW(TOLERANCE:±0.10)

3	Shell	C2680H	1	T=0.30 Plating nickel/Tin
2	Housing	P.B.T	1	UL94V-0 Nature/Black/White
1	Contact	C5191H	4	T=0.25 Plating Gold
NO.	VARIETY	MATERIAL	Q'TY	REMARK

CZT<sup>®</sup> DONGGUAN ZHENGDE (YIHUA) CONNECTOR CO., LTD

X. ±0.38	.Xiã±4'	UNIT:	mm	DR:	Sally	TITLE:	USB B TYPE(FEMALE) DIP 180° L=16.1		
.X ±0.25	.Xiã±2'	3RD:		DE:	Sally				
.XX±0.20	.XXiã	SCALE:	1:1	CHKD:		SHEET:	1/1	P/N:	USB-B1D118F-XX4X
.XXX±0.10	.XXXiã	CUSTOMER DRAWING	REV:	A/5	APPD:	D/N:	1114-0118	M/N:	