



nPROFILE



ALU1



ALU2



ALU3



ALU4

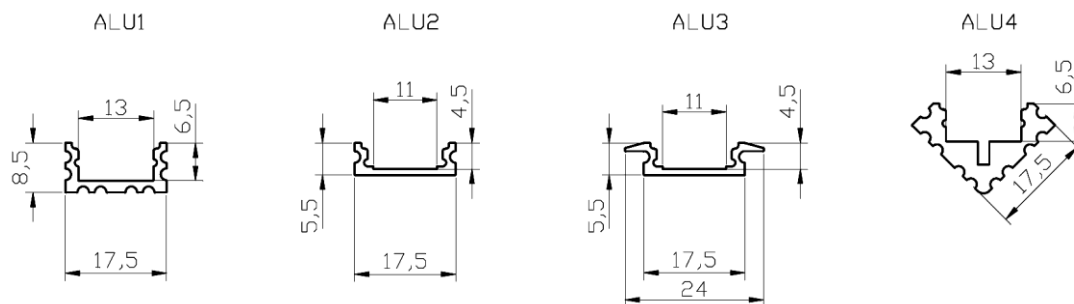
SPECIFICATION

Profile Type	ALU1	ALU2	ALU3	ALU4
Dimensions	8,5mm x 17,5mm	5,5mm x 17,5mm	5,5mm x 24mm	17,5mm x 17,5mm
Weight (grams per meter)	123	82	97	312
Length ¹	1m / 2m			
Finish	White / Anodized Sandblasted			
Material	Aluminium			
Diffuser	Water Clear / Milk			

¹ Other available on request

All the parameters and values mentioned in this specification contain only approximate information and can be not precise.

MECHANICAL DIMENSIONS (in mm)



ORDERING CODE

Part NO.	Profile Type	Finish	Length
NPROFILE-D918-1MS	ALU1	Anodized Sandblasted	1m
NPROFILE-D918-2MS	ALU1	Anodized Sandblasted	2m
NPROFILE-D918-1MW	ALU1	White	1m
NPROFILE-D918-2MW	ALU1	White	2m
NPROFILE-S618-1MS	ALU2	Anodized Sandblasted	1m
NPROFILE-S618-2MS	ALU2	Anodized Sandblasted	2m
NPROFILE-S618-1MW	ALU2	White	1m
NPROFILE-S618-2MW	ALU2	White	2m
NPROFILE-F624-1MS	ALU3	Anodized Sandblasted	1m
NPROFILE-F624-2MS	ALU3	Anodized Sandblasted	2m
NPROFILE-F624-1MW	ALU3	White	1m
NPROFILE-F624-2MW	ALU3	White	2m
NPROFILE-A1818-1MS	ALU4	Anodized Sandblasted	1m
NPROFILE-A1818-2MS	ALU4	Anodized Sandblasted	2m
NPROFILE-A1818-1MW	ALU4	White	1m
NPROFILE-A1818-2MW	ALU4	White	2m

All the parameters and values mentioned in this specification contain only approximate information and can be not precise.