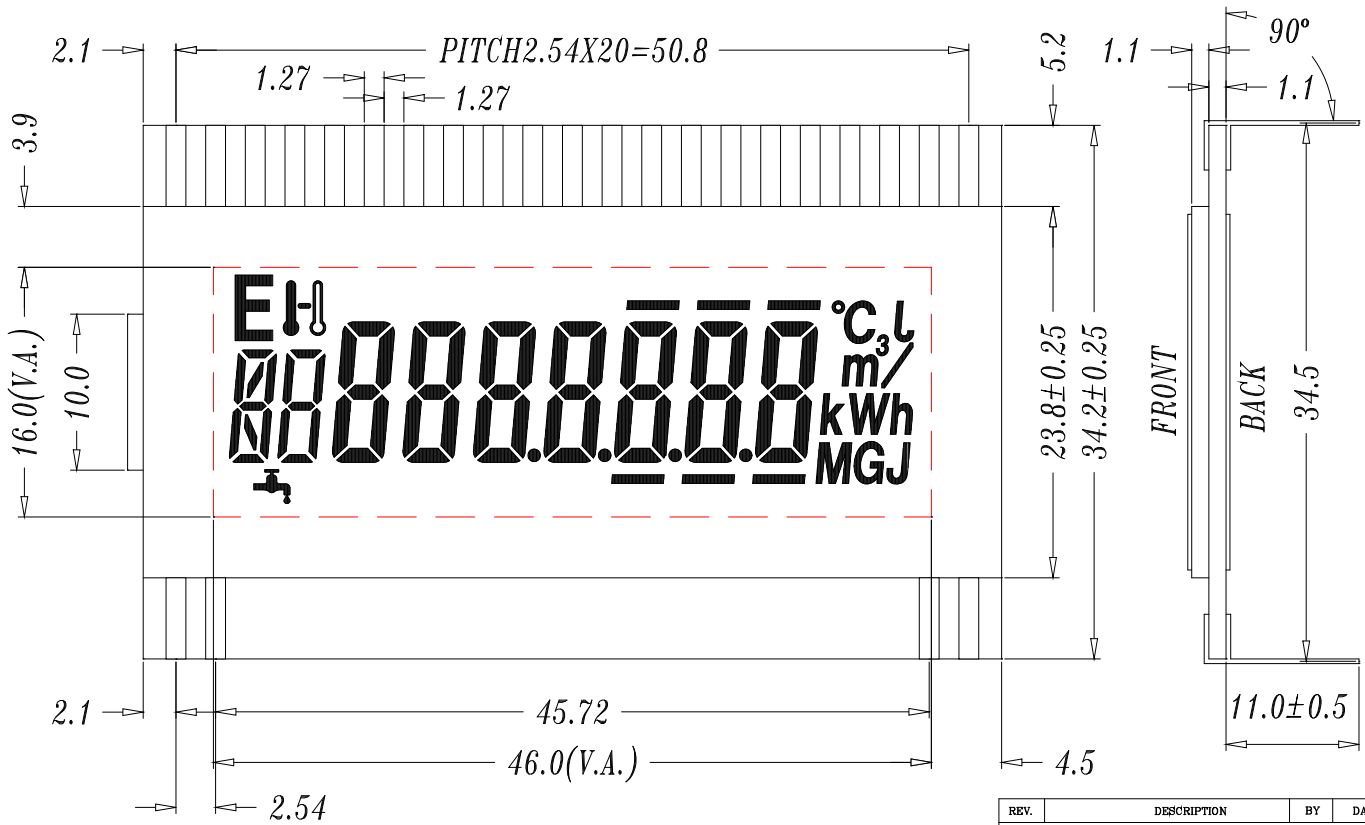


PIN	1	2	3	4	5	6	7	8	9	10	11	12	13	14
COM0		COM0	8K	8A	8J	7A	E	H5	6A	H4	5A	H3	4A	H2
COM1	COM1		8F	8B	7F	7B	T1	6F	6B	5F	5B	4F	4B	3F
COM2			8D	8C	7D	7C	T3	6D	6C	5D	5C	4D	4C	3D
COM3			8E	8G	7E	7G	T2	6E	6G	5E	5G	4E	4G	3E
PIN	15	16	17	18	19	20	21	22	23	24	25			
COM0	3A	H1	2A	H0	1A	°C	0A	m³	/h					
COM1	3B	2F	2B	1F	1B	0F	0B	l	M					
COM2	3C	2D	2C	1D	1C	0D	0C	k	G		COM2			
COM3	3G	2E	2G	1E	1G	0E	0G	W	J	COM3				

REV.	DESCRIPTION	BY	DATE
	- JHD CO LTD		
	DRAWN BY: H.S.SHAO	DRAWN NO.: 0939	SCALE: /
	CHECKED BY: L.C.WANG	LCD NO.:	UNIT: mm
	APPROVED BY:	REV.:	-
	DATE: 2001-3-14	SHEET 3	OF 3



REV.	DESCRIPTION	BY	DATE
	- JHD CO LTD		
	DRAWN BY: H.S.SHAO	DRAWN NO.: 0939	SCALE: /
	CHECKED BY: L.C.WANG	LCD NO.:	UNIT: mm
	APPROVED BY:	REV.:	-
	DATE: 2001-3-14	SHEET 2	OF 3