

# VECO VANSONIC ENTERPRISE CO., LTD.

8F.,No.7,Lane 16, Sec.2, Szechwan Road, Panchiao, Taipei Hsien, TAIWAN.

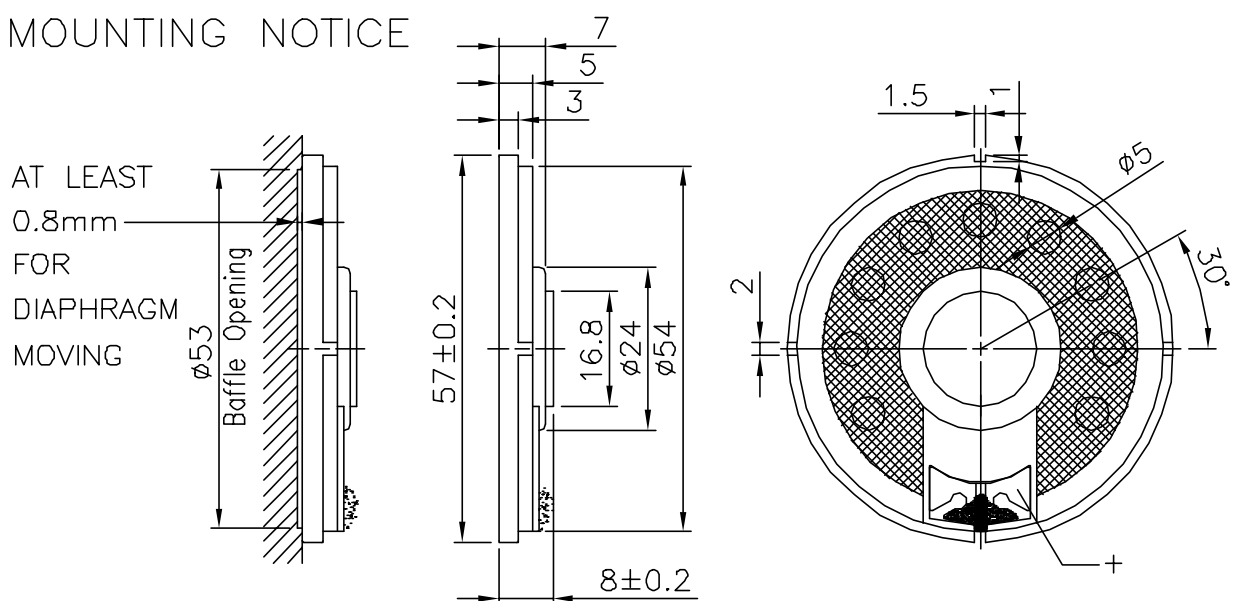
TEL: +886-2-29626335

TEL: +886-2-29625220

E-MAIL: vansonic@ms4.hinet.net

1.	<b>MODEL:</b>	<b>57CS50G</b> -M75NT(Clear Mylar)-M75ND(Black Mylar)					
2.	Dimension	Outer Diameter	<b>57</b>	mm.	Baffle Opening	<b>53</b>	mm.
		Height	<b>Refer to Drawing</b>		Weight	<b>12</b>	Grams.
3.	Magnet	Materials	<b>Rare Earth</b>		Size	$\phi$ <b>12.5 x 1.5</b> mm.	
4.	Nominal Impedance	<b>50 Ohm</b>	$\pm$	<b>15</b>	%	At	<b>1500</b> Hz.
5.	Power Rating	Normal	<b>200</b>	mW.	Maximum	<b>400</b>	mW.
6.	Lowest Resonant Frequency	<b>385</b>	$\pm$	<b>20</b>		%	Hz.
7.	Output Sound Pressure Level (S.P.L.)	<b>80</b>	$\pm$	<b>3</b>	db / 0.2 Watt	0.5 Meter.	
		Average at			<b>600, 800, 1000, 1200</b>	Hz.	
8.	Frequency Range	<b>170</b>	~	<b>11800</b>		Hz.	Average SPL - 10 db.
9.	Distortion	<b>5</b>	%	Maximum At	<b>1000</b>	Hz.	<b>200</b> mW.
10.	Abnormal Sound Test	Must Be Normal Test By			<b>4.472</b>	Volts.	Sine Wave.
11.	Load Test	White Noise With Weighted Filter			<b>4.472</b>	Volts.(RMS)	<b>24</b> Hrs.
12.	Polarity	Diaphragm shall move Forward when Apply a Positive DC.					
		Current to the "+" or "Marked" Terminal.					

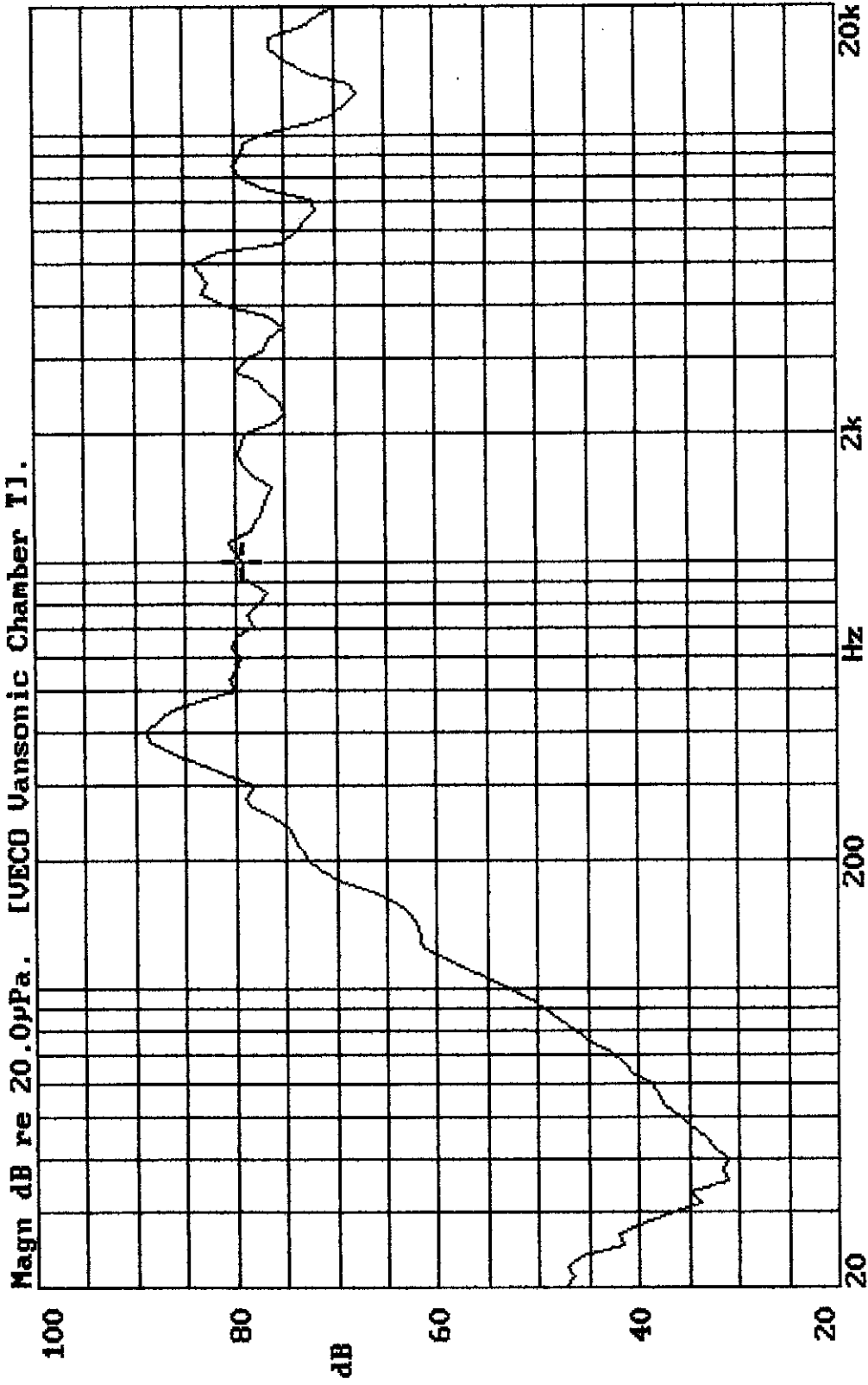
## MOUNTING NOTICE



Unit : mm

Housing Material : ABS

57CS100G-75ND VOL:4.472V(0.2W) DIS:0.5M VANSONIC  
X:1.0000kHz \*Y:79.27dB ZA:Live Curve SSR Fund.



09-AUG-2002 17:17:33

Mode : SPEAKER

