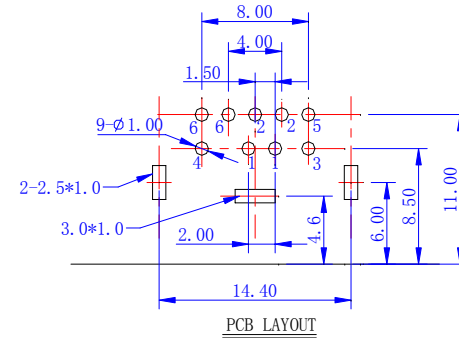
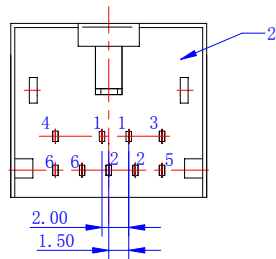
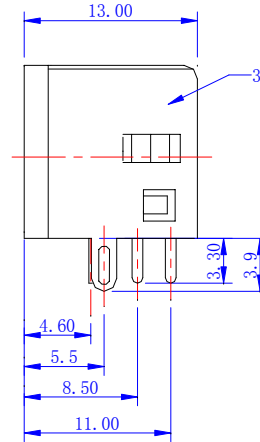
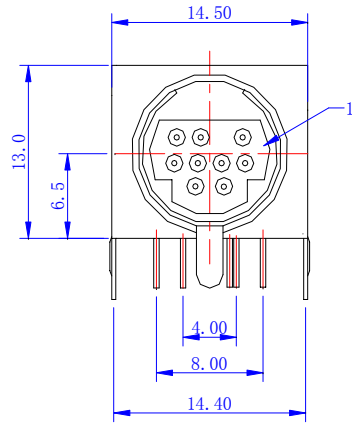


ALLOWANCE	
UNDER 3	±0.1
3 TO 6	±0.2
6 TO 15	±0.3
15 TO 50	±0.4
50 OVER	±0.5



9	SOCKET	H65-0.35Y	1	Cu-Sn PLATED
9	TERMINAL-6	H65-0.4Y	2	Ag PLATED
8	TERMINAL-5	H65-0.4Y	1	Ag PLATED
7	TERMINAL-4	H65-0.4Y	1	Ag PLATED
6	TERMINAL-3	H65-0.4Y	1	Ag PLATED
5	TERMINAL-2	H65-0.4Y	2	Ag PLATED
4	TERMINAL-1	H65-0.4Y	2	Ag PLATED
3	COVER-P	H65-0.4Y	1	Cu-Sn PLATED
2	COVER	PBT-G30 (VIRGIN)	1	BLACK
1	HOUSE	PBT-G30 (VIRGIN)	1	BLACK
NO:	PART NAME	MATERIAL	QTY	FINISHING

MODEL NO: SW-9-02	TOLERANCE: ±0.2	DRAWN BY:
TYPE: S TERMINAL SERIES	UNIT: mm	CHECHED BY:
MATERIAL NO:	SCALE: NO SCALE	APPROVED BY:

