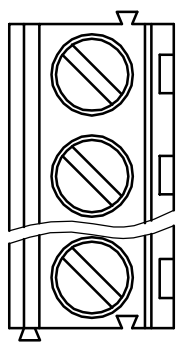
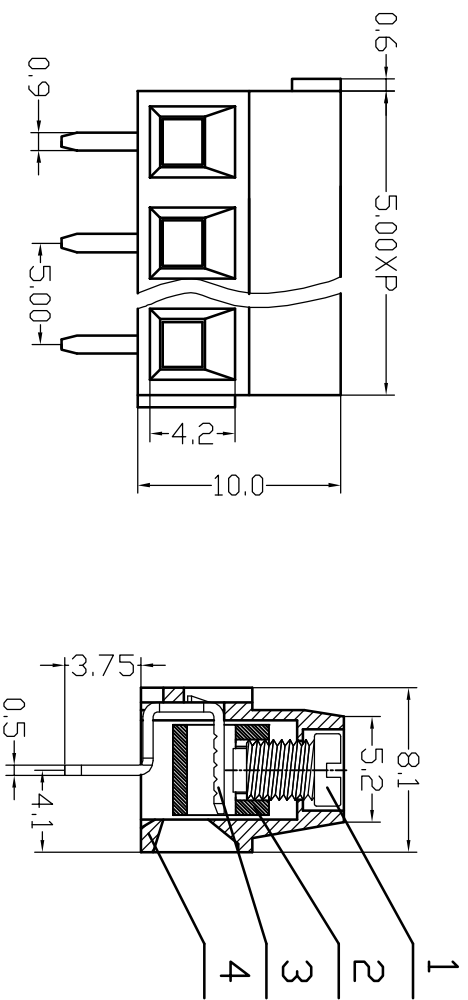


序号/Rev.No.	名称/Title	文件编号/File No.
1	XY304螺丝	
2	XY304铜方块	
3	XY304V端子	
4	XY304塑件	



Poles: 2P&3P
 Pitch: 5.0mm
 Voltage Rating: 250V
 Current Rating: 16A
 Wire range: 22-14AWG 1.5mm²
 Housing: PA66(UL 94V-0)
 Wire cage: Brass, Nickel Plated
 Solder Pin: Brass, Tin Plated
 Screw: M3.0, Steel (A3), zinc plating
 Maximum force: 0.5N.m

序号/Rev.No.	更改记录/Revision note	签名/Signature	日期/Date

设计/Designed by	绘图/Draw ing by	审核/Checked by	批准/Approved by	未注公差 General Tolerance
				X: ±0.2 X' ±2 .X ±0.1 .X' ±1 .XX ±0.05 .XX' ±0.5 .xxx ±0.01
图名/Title		文件编号/File No.		
XY304V-A				
备注/Remark	页序/Sheet	单位/Unit: mm		

