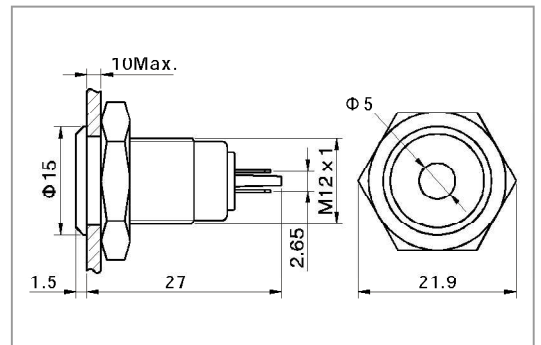


Anti-vandal indicator



GQ12F - D/Δ/▲

- ⊙ Φ 12mm Diameter
- ⊙ Voltage Rating: ≤36V
- ⊙ Rated Current: 15mA
- ⊙ Type: LED
- ⊙ Color: R/G/Y/O/B/W
- ⊙ The Crust Material:
Nickel plated Brass
- ⊙ IP Degree:IP67,IK10



Specification		GQ12F-D/Δ/▲
Terminal Type		Pin Terminal(1.8×0.4mm)
Dielectric Intensity		2000 VAC
Operating Temp		-20°C ~ + 55°C
Panel Thickness		1 ~ 10mm
Torque		5 ~ 14Nm
IP Degree		IP67,IK10
Material	Lampshade	PC
	Body	Nickel Plated Brass
	Base	PBT
	RoHS	Made to order
LED Spec.	Type	LED
	Rated Voltage	6V/12V/24V/36V
	Rated Current	15mA
	Color	R G Y O B W
	Life	40000 hours