

TC802A-01

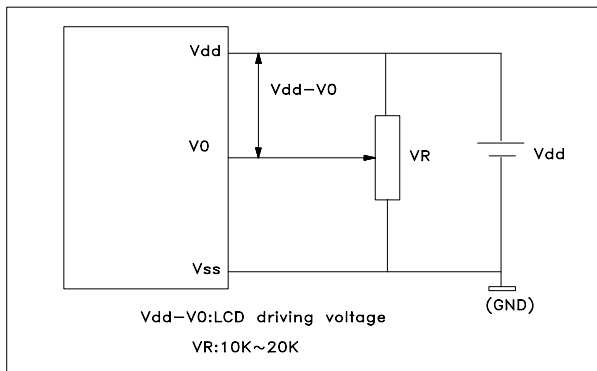
Series

Display Format	8 Characters X 2 Lines
Drive Method	1/16 Duty , 1/5 Bias
LCD Type	STN Yellow green
LED Backlight	Yellow

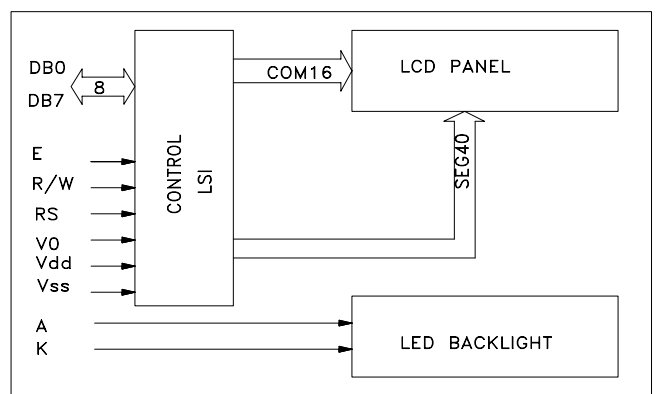
Electrical Characteristics

ITEM	Symbol	Condition	Standard value			UNIT
			Min.	Typ.	Max.	
Supply Voltage For Logic	$V_{DD}-V_{SS}$	--	4.5	5.0	5.5	V
Supply Voltage For LCD	$V_{DD}-V_0$	--	--	5.0	--	V
Input High Voltage	V_{IH}	--	2.2	--	V_{DD}	V
Input Low Voltage	V_{IL}	--	-0.3	--	0.6	V
output High Voltage	V_{OH}	$I_{OH}=-0.1mA$	2.4	--	--	V
output Low Voltage	V_{OL}	$I_{OL}=0.1mA$	--	--	0.4	V
Power Supply Current	I_{DD}	$V_{DD}=5.0V$	--	1.2	3.0	mA
With B/L	I_{LED}	$V_{LED}=5.0V$	-	50	100	mA

Power supply



Block Diagram



EXTERNAL DIMENSIONS AND DISPLAY PATTERN

