

ZIF-FZC4

CUSTOMER DRAWING

PRODUCT SERIES
 1.0mm FPC CONNECTOR
 TOP ENTRY CONTACT
 DIP TYPE

NUMBER OF CONTACTS
 4 - 34

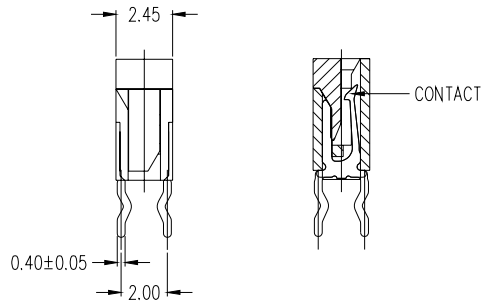
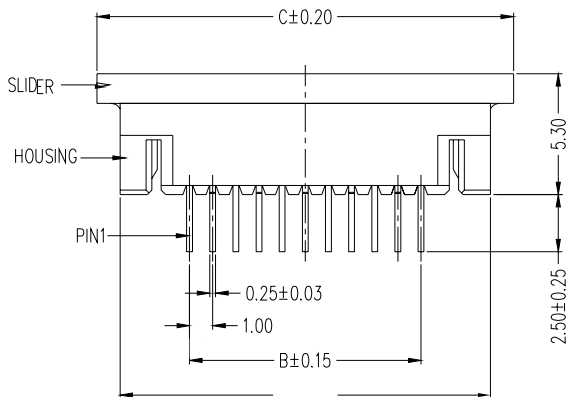
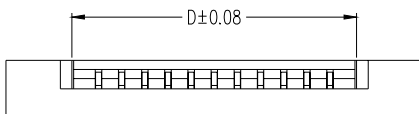
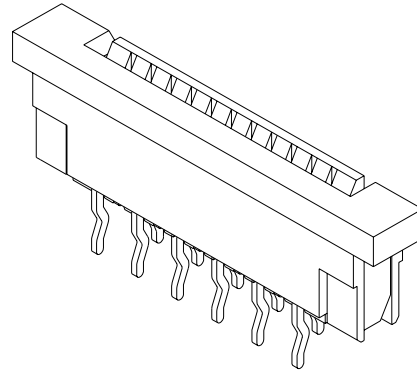
Operat'

PERFORMANCE CHARACTERISTICS

Operating Voltage: 100 VAC Max.
 Current Rating: 0.5 Amp Max.
 Contact Resistance: 30 mΩ Max.
 Insulation Resistance: 500 MΩ Min.
 Dielectric Withstanding Voltage: 500 VAC RMS.
 Operating Temperature: -40°C TO +85°C
 Accommodated FFC/FPC Thickness: 0.25~0.35mm

MATERIAL

Insulator: LCP;UL94V-0 Rated.
 (COLOR : IVORY)
 Slider: PPS;UL94V-0 Rated.
 (COLOR : BLACK)
 Terminal: Phosphor Bronze
 Plating: 120u" Tin Alloy plated over 40u" nickel

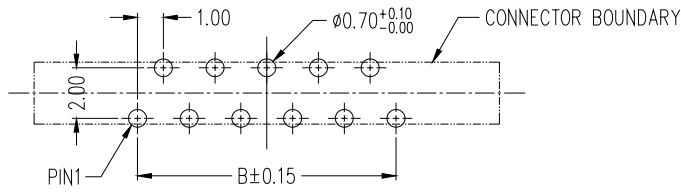


TOLERANCE (UNLESS SPECIFIED)	
0.0	±0.35
0.00	±0.20
0.000	±0.XX

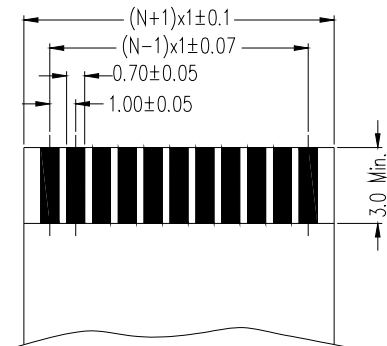
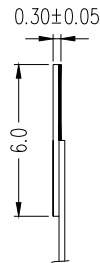
TITLE:
**1.0 ZIF FPC CONN. TOP ENTRY
 CONTACT DIP TYPE.**

DWG NO. FZC4_C	SERIES FZC4	SHEET 1/2
FILE PATH PD\FZ\FZC4\FZC4_CG		REV. G

CUSTOMER DRAWING



RECOMMENDED PCB LAYOUT (components side)



N=NUMBER OF CONTACTS
(APPLICABLE FPC/FFC)

DIM. TABLE

19	24.00	18.00	26.00	20.15					
18	23.00	17.00	25.00	19.15	34	39.00	33.00	41.00	35.15
17	22.00	16.00	24.00	18.15	33	38.00	32.00	40.00	34.15
16	21.00	15.00	23.00	17.15	32	37.00	31.00	39.00	33.15
15	20.00	14.00	22.00	16.15	31	36.00	30.00	38.00	32.15
14	19.00	13.00	21.00	15.15	30	35.00	29.00	37.00	31.15
13	18.00	12.00	20.00	14.15	29	34.00	28.00	36.00	30.15
12	17.00	11.00	19.00	13.15	28	33.00	27.00	35.00	29.15
11	16.00	10.00	18.00	12.15	27	32.00	26.00	34.00	28.15
10	15.00	9.00	17.00	11.15	26	31.00	25.00	33.00	27.15
9	14.00	8.00	16.00	10.15	25	30.00	24.00	32.00	26.15
8	13.00	7.00	15.00	9.15	24	29.00	23.00	31.00	25.15
7	12.00	6.00	14.00	8.15	23	28.00	22.00	30.00	24.15
6	11.00	5.00	13.00	7.15	22	27.00	21.00	29.00	23.15
5	10.00	4.00	12.00	6.15	21	26.00	20.00	28.00	22.15
4	9.00	3.00	11.00	5.15	20	25.00	19.00	27.00	21.15
POS.	A	B	C	D	POS.	A	B	C	D



TOLERANCE (UNLESS SPECIFIED)	
0.0	±0.35
0.00	±0.20
0.000	±0.XX

TITLE:
1.0 ZIF FPC CONN. TOP ENTRY
CONTACT DIP TYPE.

DWG NO. FZC4_C	SERIES FZC4
FILE PATH PD\FZ\FZC4\FZC4_CG	

SHEET
2/2
REV.
G