

Crystal oscillator

Series 6N, SEAM SEALED CERAMIC 7 X 5MM Surface Mount Package



Approved by:
Checked by:
Issued by:

SPECIFICATION

MODEL: SJK-6NC2-50.00-50-B

深圳市晶科鑫实业有限公司
SHENZHEN CRYSTAL TECHNOLOGY INDUSTRIAL CO., LTD.

Add: RM#1805, East Wing, TianAn Hi-tech Plaza Phase2, TianAn Cyber Park Shenzhen, China
Tel: (86) 755 88352809 88352810 Fax: (86) 755 88353718 88352499
E-mail: jolly@q-crystal.com HTTP://www.q-crystal.com

Crystal oscillator

Series 6N, SEAM SEALED CERAMIC 7 X 5MM Surface Mount Package



FEATURE

- I Broad frequency range from 1.544Mhz to 150MHz
- I Compact and thin ceramic package with a metalized for surface mounting and automatically loaded
- I Reflow solder is possible
- I Lower noise and current with reduced power consumption
- I Built-in C-MOS IC with tri-state function
- I 5V and 3.3V supply model available

ELECTRICAL SPECIFICATIONS

Nominal Frequency	50.00mhz
Frequency Stability	±50ppm
Operating Temperature Range	-20~+70°C
Storage Temperature Range	-55~+125°C
Supply Voltage	3.3v±10%
Input Current	15mA
Output load:	15pF
Output Voltage High	90%Vdd
Output Voltage Low	10%Vdd
Rise Time	8 ns (10% → 90%VDD Level)
Fall Time	8 ns (10% → 90%VDD Level)
Symmetry (Duty ratio)	45~55%
Start-up Time	10ms
Enable Voltage High	70%Vdd
Disable Voltage Low	30%Vdd
Aging	±5ppm(1 st , year at 25 °C
Output Disable delay Time	150us
Out Enable delay time	150us

MARKING AND DIMENSIONS

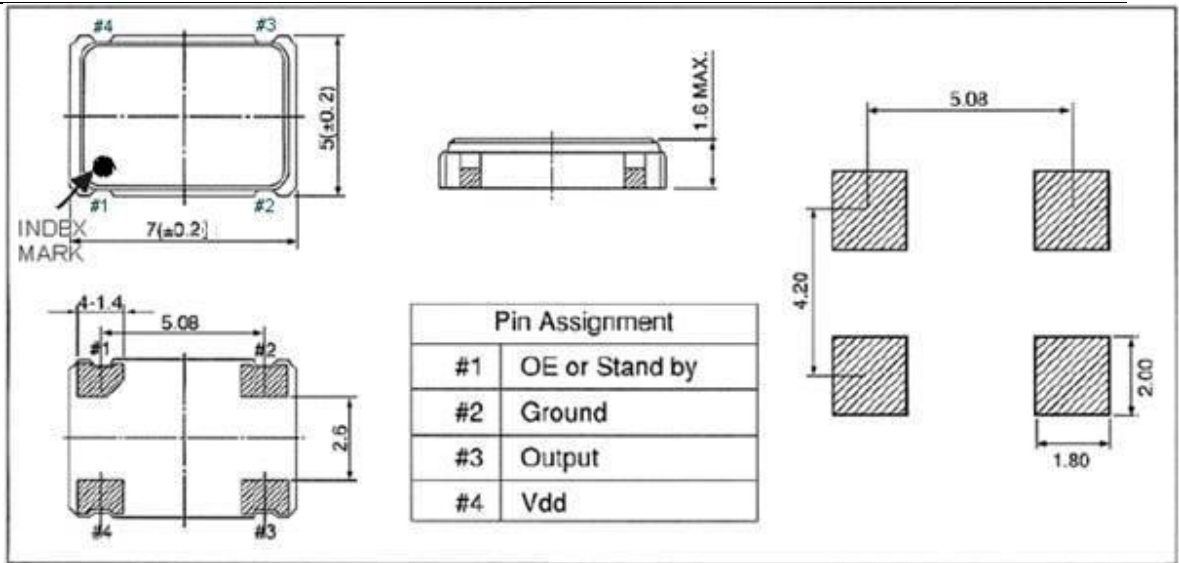
Add: RM#1805, East Wing, TianAn Hi-tech Plaza Phase2, TianAn Cyber Park Shenzhen, China

Tel: (86) 755 88352809 88352810 Fax: (86) 755 88353718 88352499

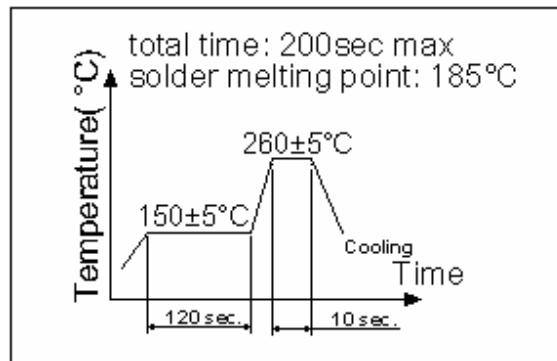
E-mail: jolly@q-crystal.com HTTP://www.q-crystal.com

Crystal oscillator

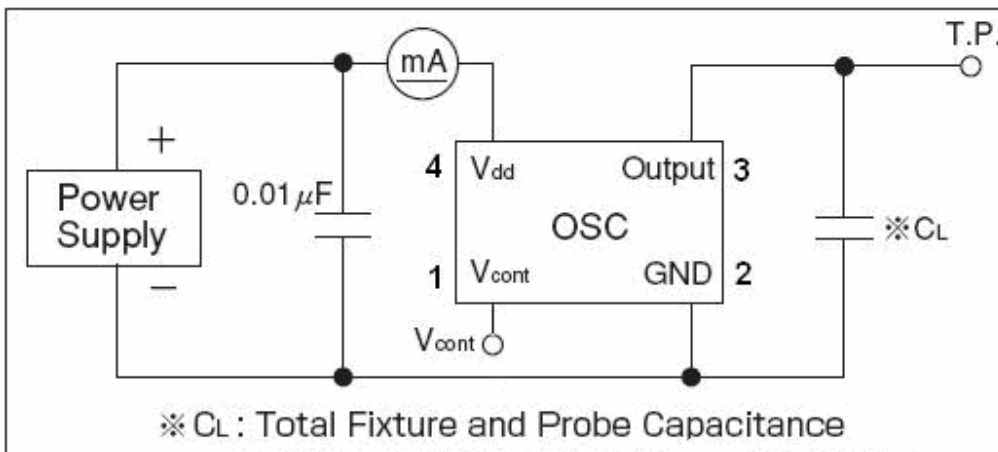
Series 6N, SEAM SEALED CERAMIC 7 X 5MM Surface Mount Package



Reflow Condition



MEASUREMENT CIRCUIT



PACKING

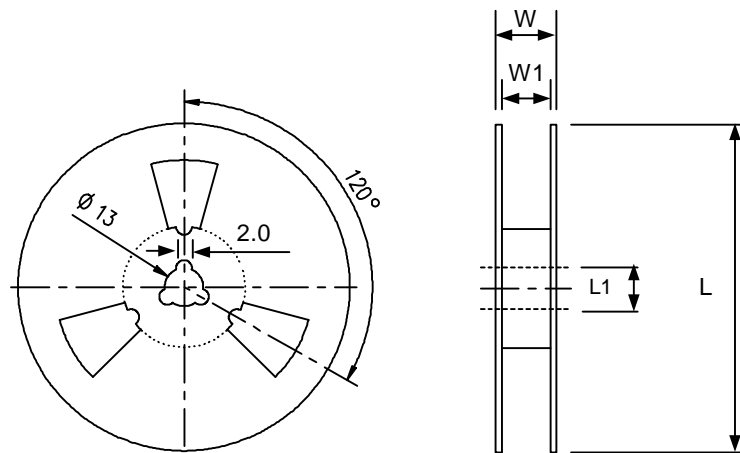
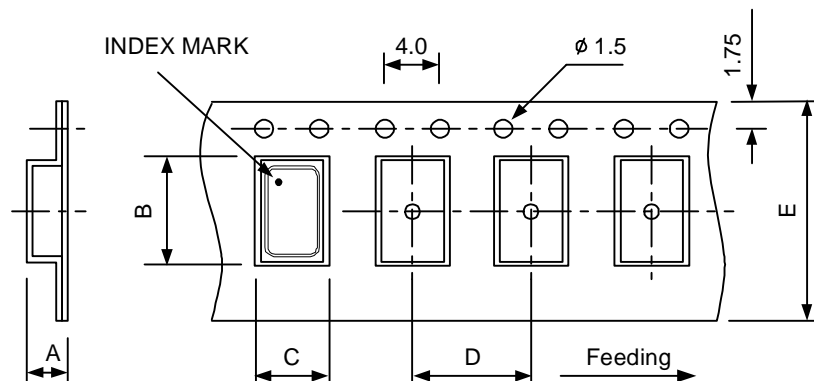
Add: RM#1805, East Wing, TianAn Hi-tech Plaza Phase2, TianAn Cyber Park Shenzhen, China

Tel: (86) 755 88352809 88352810 Fax: (86) 755 88353718 88352499

E-mail: jolly@q-crystal.com HTTP://www.q-crystal.com

Crystal oscillator

Series 6N, SEAM SEALED CERAMIC 7 X 5MM Surface Mount Package



DIMENSIONS		A	B	C	D	E	L	L1	W	W1	Pcs / Reel
	7050	2.15	7.9	5.4	8.0	16	180	13	21.5	17.5	1K
5032	1.46	5.5	3.6	8.0	12	180	13	15.4	13		

PART NUMBER GUIDE

6NC2	50.00M	50	B
SJK-6NC1: 5V	Frequency	Frequency	Temperature
- TTL/CMOS	50.00:50.00	tolerance	range
6NC2: 3.3V	MHz	50:±50ppm	A: 0-60°C
CMOS		30:±30ppm	B:-20-70°C
6NC3: 5V TTL			C:-40-85°C
6NC4: 3.3V TTL			

Add: RM#1805, East Wing, TianAn Hi-tech Plaza Phase2, TianAn Cyber Park Shenzhen, China

Tel: (86) 755 88352809 88352810 Fax: (86) 755 88353718 88352499

E-mail: jolly@q-crystal.com HTTP://www.q-crystal.com

Crystal oscillator

Series 6N, SEAM SEALED CERAMIC 7 X 5MM Surface Mount Package



RELIABILITY TEST SPECIFICATION

Test item	Equipment	Condition	Specification
1.SOLDERABILITY TEST	SJK-REL001 、 RC-328A	1.solderability:235±5℃, 5±0.5S 2.heat resistance:260±5℃,10±1S restoration of 1 hour	MIL-STD-883E Method 2003.7
2. HERMETICITY TEST	HELIOT-306S	FC-84 fluorocarbon bubble machine	MIL-STD-883E Method 1014.10
3. VIBRATION TEST	HG-V4、S&A 250B	Enable Crystal(10g) from 10-55-10Hz,X 、 Y 、 Z horizontal,1 Minute vibration/time, 1time/ 2 hours.	MIL-STD-883E Method 2007.3
4. MECHANICAL SHOCK	HPC-200、S&A 250B	Enable Crystal 50G(490m/s ²) time=11 ms speed=3.4 m/s half sine wave oscillation	JIS C6701
5. DROP TEST	HARD BOARD.S&A250B	75cm high,3 times on hard BOARD	MIL-STD-202F Method 213B
6. SALT SPRAY	H-SST-60、 RC-328A	5% NaCL,35℃±2℃ chamber,48 hrs., PH:6.5~7.2	JIS C6701
7. HIGH&LOW TEMP STORAGE TEST(Static test)	H-PTH-80CK & HM101-3ABN , S&A 350B/250B	High temperature: 125℃±2℃,1000hr; Low temperature:-40℃±3℃,1000hrs	MIL-STD-883C,METHOD 1011.8
8. TEMP & HUM CYCLING TEST	H-PTH-80CK CHAMBE , S&A 350B/250B	Temperature:-10℃±2℃ ~ 65℃±2℃,Humidity:93±3%,1 cycle need 24 hrs. 5cycles.	MIL-STD-883E Method 1005.8
9. HIGH TEM. & HUM. STORAGE TEST	H-PTH-80CK CHAMBE , S&A350B/250B	temperature:40℃±2 , Humidity:85+3,-2%,Store 96 hrs	JIS C6701
10.AGING TEST	H-PTH-80CK CHAMBE , S&A350B/250	temperature: 85℃±2, 1000hrs	JIS C5023

Add: RM#1805, East Wing, TianAn Hi-tech Plaza Phase2, TianAn Cyber Park Shenzhen, China

Tel: (86) 755 88352809 88352810 Fax: (86) 755 88353718 88352499

E-mail: jolly@q-crystal.com HTTP://www.q-crystal.com