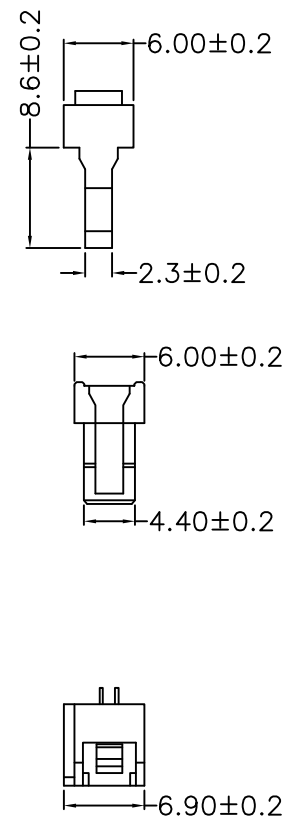
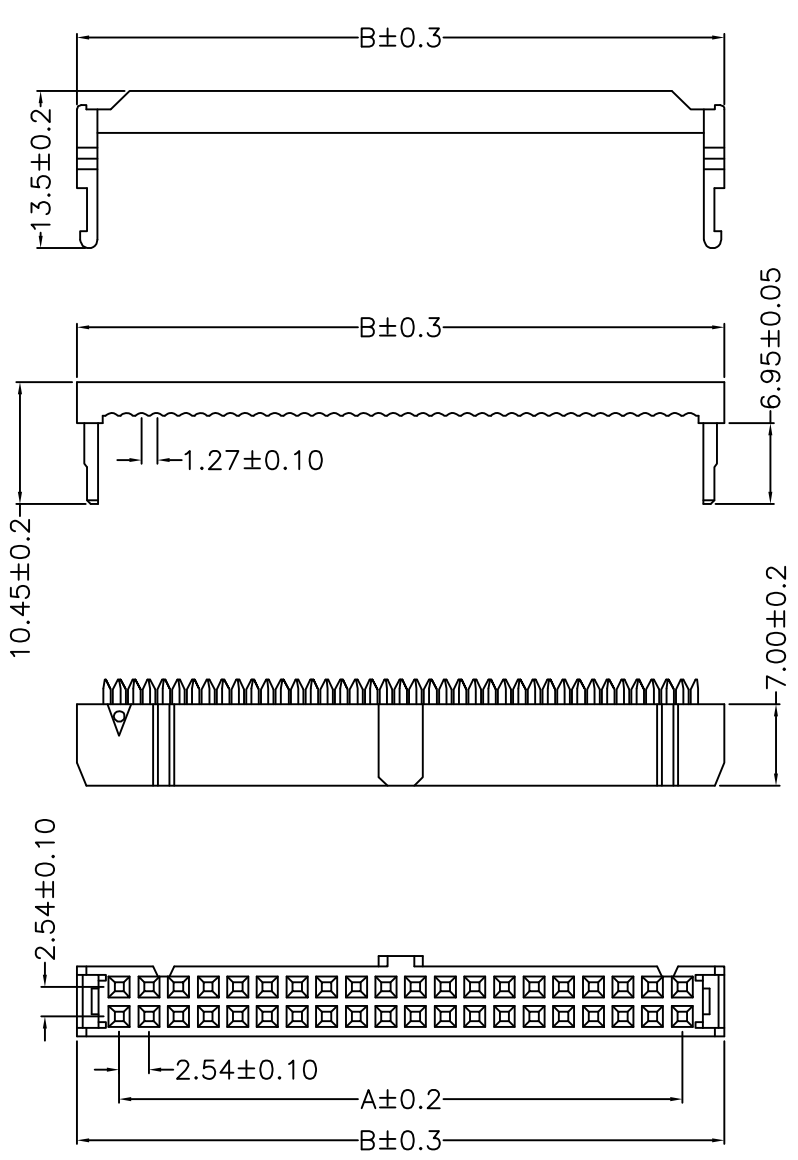


REV.	LOCAS.	DESCRIPTION	DATE	DRAWN
02	02	Change Part NO.	2009.03.20	Zuo Guo



**Specifications**  
 Current Rating: 1A AC,DC  
 Voltage Rating: 250V AC,DC  
 Insulation Resistance: 1000MΩ Min.  
 Withstand Voltage: 500V AC/DC  
 Contact Resistance: 20m ΩMax.  
 Operating Temperature: -40°C to +105°C

**Materials**  
 Contact Material: Brass  
 Insulator Material: Thermoplastic UL94V-0 PBT or the equivalent material  
 All materials must meet Greenconn requirement for environment protection.

PIN Q'TY	A	B
2*3	5.08	12.32
2*4	7.62	14.86
2*5	10.16	17.40
2*6	12.70	19.94
2*7	15.24	22.48
2*8	17.78	25.02
2*9	20.32	27.56
2*10	22.86	30.10
2*12	27.94	35.18
2*13	30.48	37.72
2*14	33.02	40.26
2*15	35.56	42.80
2*17	40.64	47.88
2*20	48.26	55.50
2*25	60.96	68.20
2*30	73.66	80.90
2*32	78.74	85.98

### Ordering Information

C QHA214 - XX XX A001 A X B X-23

No. of Pins per Row: 3, 4, 5, 6, 7, 8, 9, 10, 12, 13, 14, 15, 17, 20, 25, 30, 32  
 Standard Plating: 70= Gold plating on contact area over 50-100 u" Ni.  
 Color: 1=Black  
 Standard Packing: B=Tray

<b>格稜股份有限公司</b> <b>Greenconn Corporation</b>				<b>GENERAL TOLERANCE</b> X.* ± 5.0° X. ± 0.30 .X* ± 3.0° .X ± 0.25 .XX* ± 2.0° .XX ± 0.20 .XXX* ± 1.0° .XXX ± 0.15		DESIGN: Zuo Guo CHECKED: AUDITED: Link	DATE: 2009.03.20 DATE: 2009.03.20 DATE: 2009.03.20	DWG. NO. CQHA214-CA1AB PART NO. CQHA214-XXXXA001AXBX-23	TITLE: 2.54/IDC
REV. 02	UNIT. mm	SCALE. 1:1	PAGE. 1/1						

F  
E  
D  
C  
B  
A

F  
E  
D  
C  
B  
A