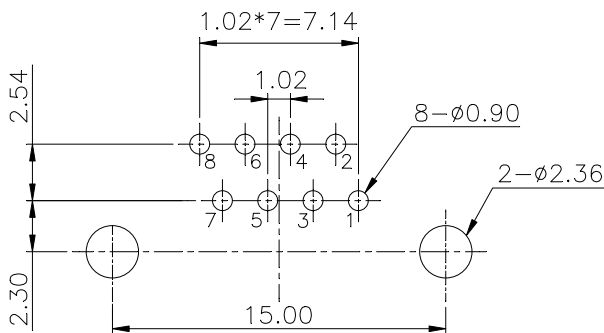
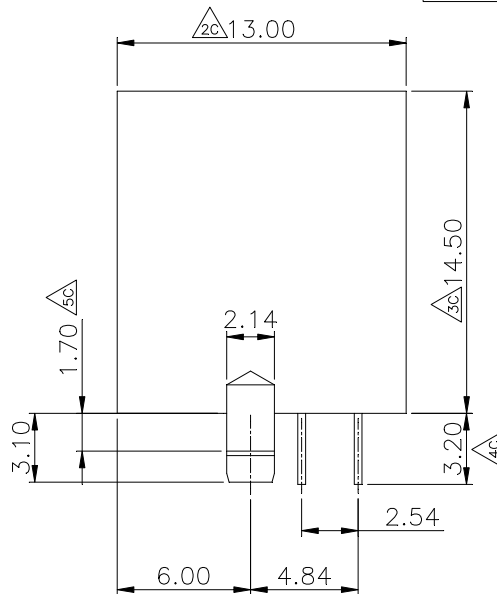
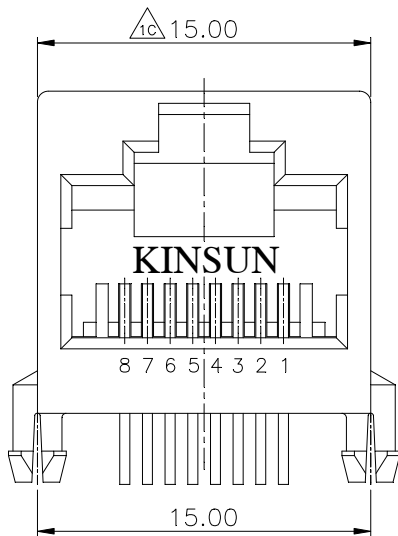
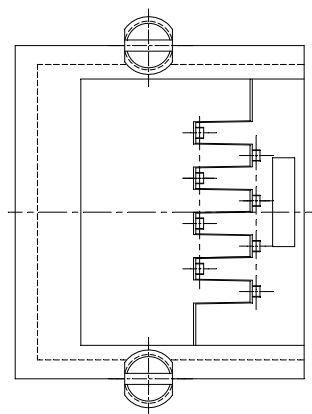


RoHS COMPLIANT



PCB LAYOUT/TOP VIEW



**MATERIALS:**

PLASTIC HOUSING: ENGINEERING THERMOPLASTIC  
 FLAMMABILITY RATING UL 94V-0.  
 COLOUR: BLACK.

PLASTIC INSERT: ENGINEERING THERMOPLASTIC  
 FLAMMABILITY RATING UL 94V-0.  
 PANTONE COLOUR NO. :COOL GRAY 5U(GRAY)

CONTACTS: PHOSPHOR BRONZE

PLATING: GOLD PLATING OVER NICKEL IN CONTACT,  
 MATTE TIN PLATING OVER NICKEL IN SOLDER AREA.

P/N G/F: 3008715500  
 6u": 3008715600  
 15u": 3008715700  
 30u": 3008715800  
 50u": 3008715900

設計 DR. Jessica 2014.12.23	核准 APPD. Marco 2014.12.23	容許公差 .XXX ±0.10 .XX ±0.25 .X ±0.38 X ±0.50 ANG ±3°	TOLERANCE	品名 ARTICLE SIDE ENTRY PCB JACK(8P8C)
版本說明 REVISION NOTE 依E303-1412012變更霧錫，發行E版				圖號 DWG NO. 3008715600
			單位 UNIT mm	比例 SCALE 1/3
			張數 SHEET 1/1	版本 REV. E