

Version	Date	Information Source	Update Details
1.0	11/24/06	Chaoyue Peng	compile

Infrared Type Touch Panel

# E12D03U-30

## Technical Specification

## 1 . Characteristics

E12D03U-30 is the low profile touch panel that is designed to easily fit in a LCD monitor.

Corresponding indication device	Unit	12. 1 inches LCD monitor
Contour dimension	[mm]	281.9(W)X220.7(D)X6.8(H)
Detection form	[mm]	Infrared rays interception detection form
Panel opening	[mm]	246.4(W)X185.2(D)
Detection area	[mm]	241.8(W)X179.8(D)
Glass		3.0(+0.1,-0.1)mm toughened glass
Linear Defects		scratch < 0.15mm, bubbles ≤ Φ0.4mm
glass surface handling		must not leave surface residue or dust after removal.
TOP shell		Polycarbonate
Bottom shell		stainless steel
Handling liner		must leave surface residue or dust after removal
Resolution Noh play		4096(W)×4096(D)
A detection pace	[mm]	3.1×3.1
Output form		Coordinate output
The number of optical elements		40(W)×30(D)
An optical element pace	[mm]	6.2
Cable length	[mm]	300±10
Minimum sutures	[mm]	0.25(W)×0.25(D)

## 2. Specifications

### Electricity Specifications

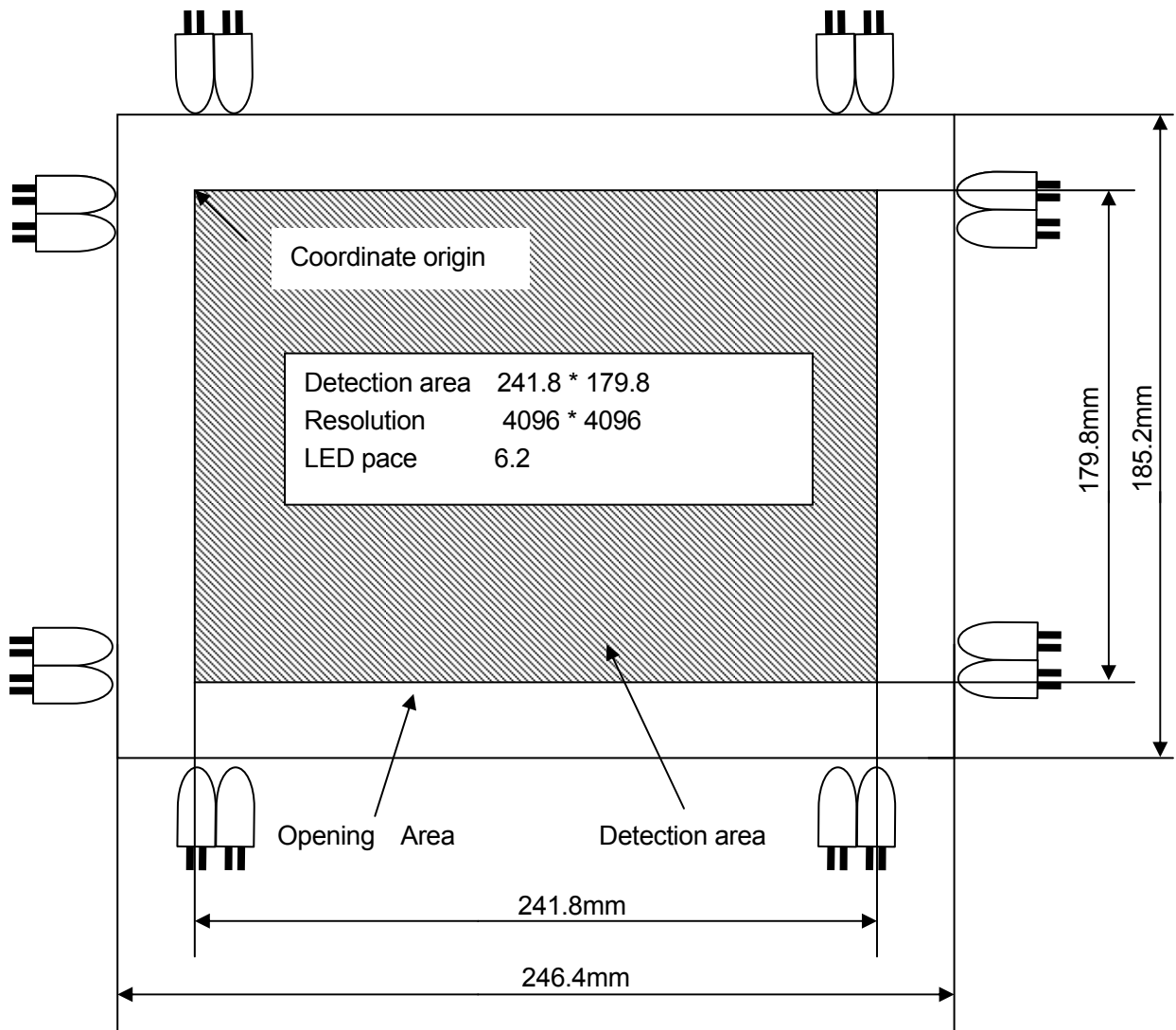
Scan periods	50Hz			
Firmware VER.	IRTOUCH USB1.1			
EIA-RS232C	Synchronous form	Step synchronous-type		
	Transfer speed	9600 BPS		
	Data composition	Start Bit	1bit	
		Data Bit	8bit	
		Parity	Non	
		Stop Bit	1bit	
Signal	TXD, RXD, GND, +5V			
I/F connector	10pin connector for cable			
USB1.1	Connector type	A type		
	Transfer speed	12Mbps		
	Signal	+5V,D-,D+,GND		
	Connector	USB A PORT connector for cable		
Temperature Range	operating	-40~70℃ (Temperature slope 25℃/Hr less than)		
	Storage	-40~85℃ (Temperature slope 25℃/Hr less than)		
Humidity	10%-90% RH at 40℃, noncondensing			
Operation Altitude	3000m			
ESD	contact discharge voltage is 4KV, air discharge voltage is 8KV			

Power supply	DC+5V max200mA the following average 160mA
How to supply it	From USB PORT of PC
Use connector	For the flat cable 4pin USB/M

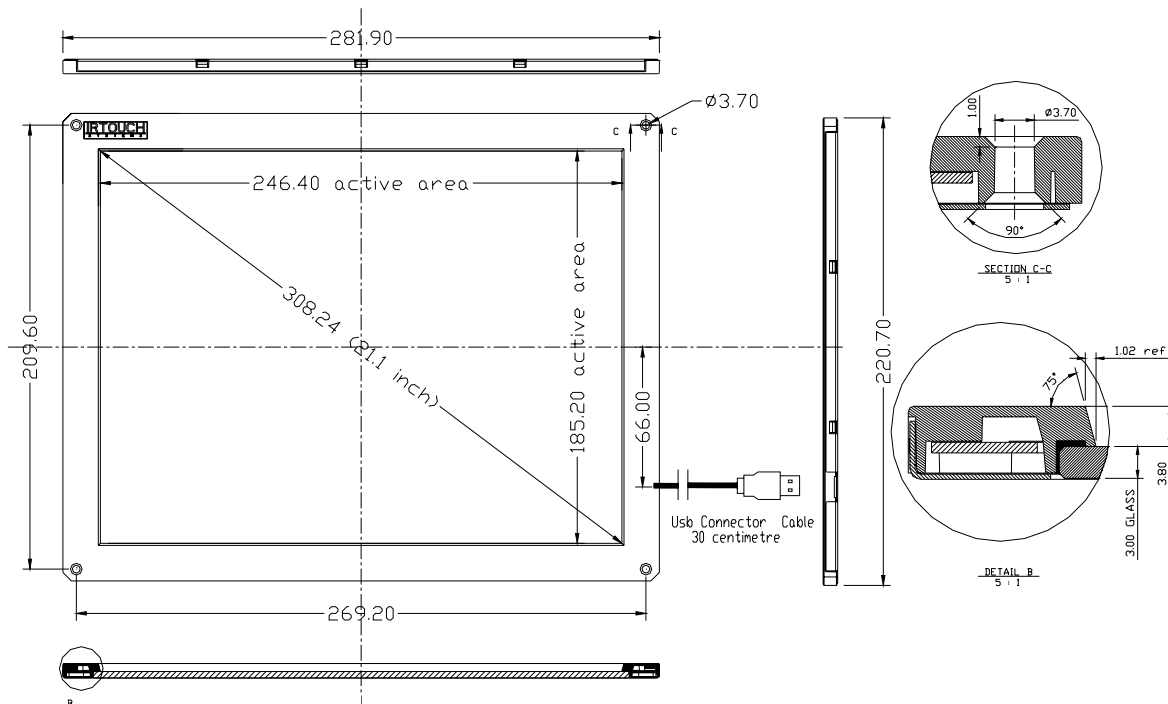
**Software Specifications**

Item	Contents
Scanning Form	Auto Start, Always Scanning
Movement Mode	Input Point, Finishing Point, Following, Continuous Detection
Resolution Noh play	4096 (X) * 4096 (Y)
Output form	Coordinate output
Agency Approval (in future)	CE, FCC,UL

**3. Panel opening Area and Detection coordinate**

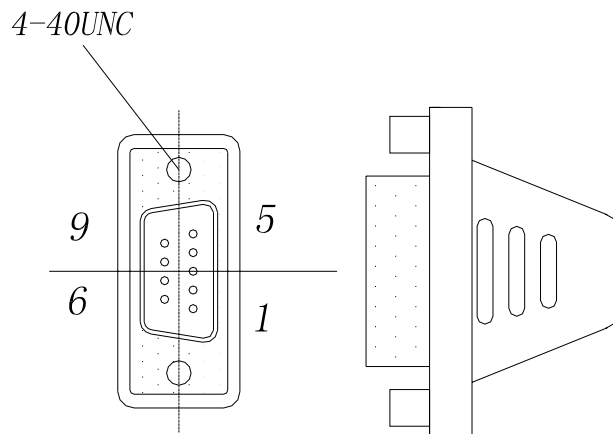


### 4. Dimensional Drawing



### 5. Connector

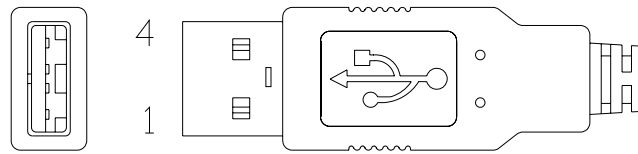
Flat type connector of DB9, as illustrated below:



**FIGURE 3**

Number	Signal name	Direction	Number	Signal name	Direction
1	VCC		2	TXD	PC to Panel
3	RXD	Panel to PC	4	NC	
5	GND		6		
7			8		
9					

USB connector, as illustrated below:



**FIGURE 4**

Number	Signal name	Direction
1	+5V	
2	D-	
3	D+	
4	GND	

## 6. ROHS COMPLIANCE

E12D03U-30 is RoHS compliant.