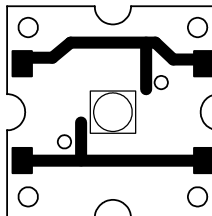
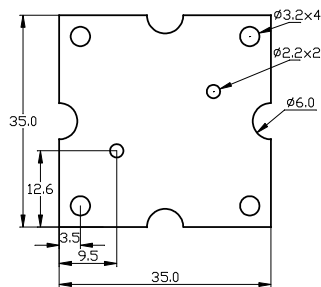


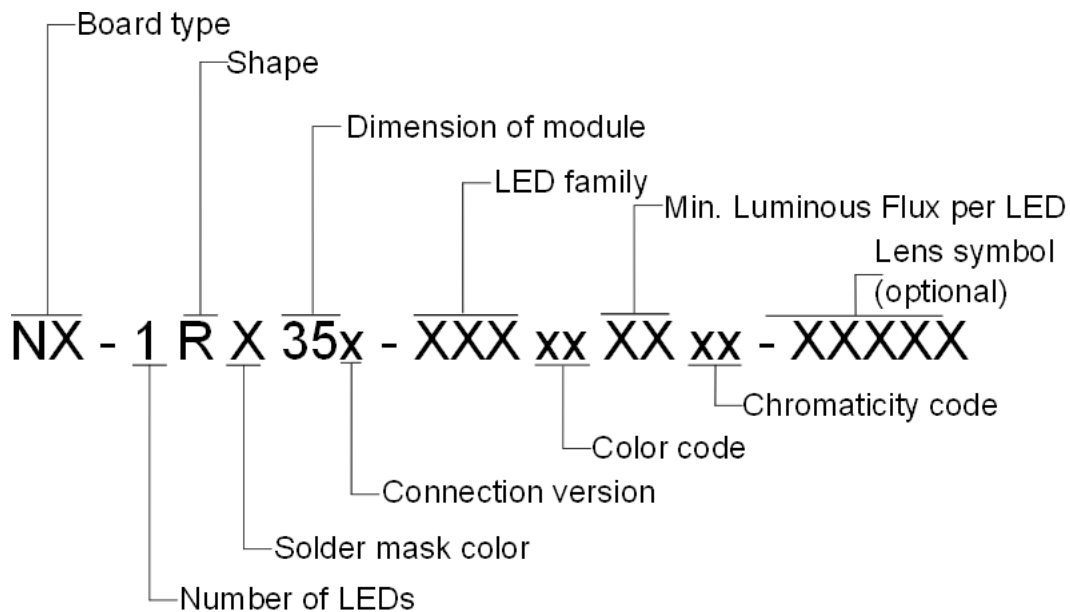
SHORT DESCRIPTION

- Rectangular MCPCB board with 35 mm diameter
- four LEDs integrated in one component connected in series
- Designed for Cree Xlamp High-Power LEDs MC-E
- Compatible Lenses: appropriate lenses from Ledil and Ledlink families





PRODUCT NOMENCLATURE



Board Type¹

NX - 1SX22x- XXXxxXXxx- XXXXX

	H [mm]	Material	Dielectric thermal conductivity [W/(m·K)]	Dielectric thickness [μm]
NV	2	1060 Alloy	1.5	80
NS	1.6			
NT	2	5052 Alloy	2	60
NC	1.6			
NM	2	Cu	3	60
NB	2	5052	depends on design ² 10÷50	60



Shape

NX- 1SX22x- XXXxxXXxx- XXXXX

Shape name	
R	Rectangular
C	Round
S	Star
P	Polygonal

Soldermask Color³

NX- 1SX22x- XXXxxXXxx- XXXXX

Color name	
B	Black
O	Orange
W	White

Connection Version

NX- 1SX22x - XXXxxXXxx- XXXXX

Connection Type	
I	Individual
S	Serial
P	Parallel



LED family

NX- 1SX22x- XXX xxXXxx- XXXXX

	Description	Suggested Board Type
MCE	Cree Xlamp MC-E Type	NV, NS, NT, NC, NM

Color

NX- 1SX22x- XXXxx XXxx- XXXXX

	Color name	CTT [K]	Led families
EW4	Easy White (4-step)	4000	MCE
		3500	
		3000	
		2700	
EW2	Easy White (2-step)	4000	MCE
		3500	
		3000	
		2700	

	Color name	Dominant Wavelength / CTT		Led families
		Range		
		min	max	
RGBWC	Red	620 nm	630 nm	MCE
	Green	520 nm	535 nm	
	Blue	450 nm	465 nm	
	Cool White	5700 K	7000 K	
RGBWN	Rednm	620 nm	630 nm	MCE
	Green	520 nm	535 nm	
	Blue	450 nm	465 nm	
	Neutral White	3700 K	4300 K	

Minimal Luminous Flux per LED

NX- 1SX22x- XXXxxXXxx- XXXXX

Please refer to proper CREE Binning & Labeling documentation(located at <http://www.cree.com/products/xlamp.asp>) paragraph "Luminous or radiant flux group".



Chromaticity

NX- 1SX22x- XXXxxXXxx - XXXXX

Please refer to proper CREE Binning & Labeling documentation (located at <http://www.cree.com/products/xlamp.asp>) paragraph "Chromaticity or dominant-wavelength group".

Lens Symbol (optional)⁴

NX- 1SX22x- XXXxxXXxx- XXXXX

Following table contains some of example lenses for nGine.

Family	Example	Mounting	Manufacturer
LL01	LENS-01-MC-AY10L, LENS-01-XR-AK40L	Glue	
BOOM	LENS-BOOM-MC-M-10928, LENS-BOOM-MC-W-10929	Glue	
EVA	EVA-D,EVA-W, EVA-M	Glue	
IRIS	LENS-IRIS-11362, LENS-IRIS-M-10953	Glue/Screws	
CMC	LENS-CMC-D-10677, LENS-LM1-RS-10613	Glue	
LM1	LENS-LM1-D-10650, LENS-CMC-W-10714	Glue	
RGB	LENS-RGB-X-M-10944, LENS-RGB-X-SS-10961	Glue	

Ordering Code Example

NV-1RB35S-MCERGBCW – 2 mm 1060 Alloy board with black soldermask, 1 MCE RGBW LED,

NV-1RB35S-MCEWCMWG-EVA-D – 2 mm 1060 Alloy board with black soldermask, 1 MCE cool white LED, MWG bin, BJB and 10193 Carclo lens.



ENVIROMENTAL CAUTION



It is prohibited to dispose of obsolete and waste electrical and electronic equipment together with regular household wastes. They should be properly sorted and recycled. old electrical and electronic equipment should be returned to a waste collection point established by a waste-management service. Waste electrical and electronic equipment can be broken down to base materials and then recycled. For more information regarding waste management please contact your local authorities waste-management service or the seller of electrical and electronic devices.

NOTES

- ¹Another thickness available on request.
- ²Blind holes technology.
- ³Another soldermask color available on request.
- ⁴More lenses available on request.