

Material:

\* Insulation:

Glass Filled Polyester UL 94V-0

\* Contact: Phosphor Bronze

Ordering Code:

CA32 \*\* H 1 3 00  
 ① ② ③ ④ ⑤ ⑥

DIM.A= 1.27 x No. of Spaces

DIM.B= DIM.A + 5.87

DIM.C= DIM.A + 1.80

DIM.D= DIM.A + 3.27

\*Available in 4 ~ 26 Circuits

① Series No.:

② No. of Circuits: 04 to 26

③ Contacts Type:

H= Right Angle Type

△ ④ Plating option:

1= Tin over Nickel plated  
 (Matte Tin plated)

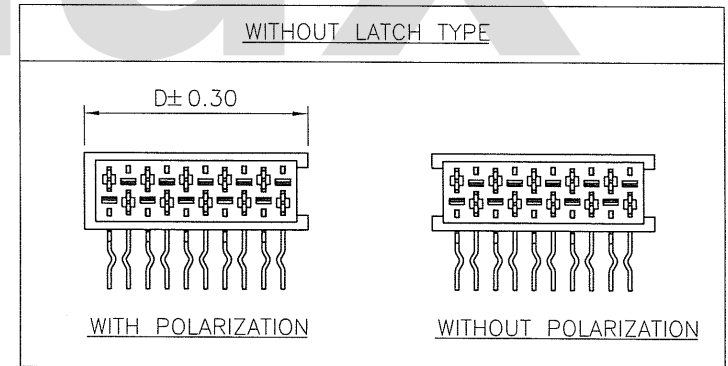
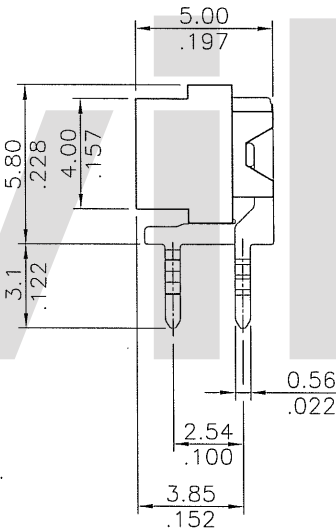
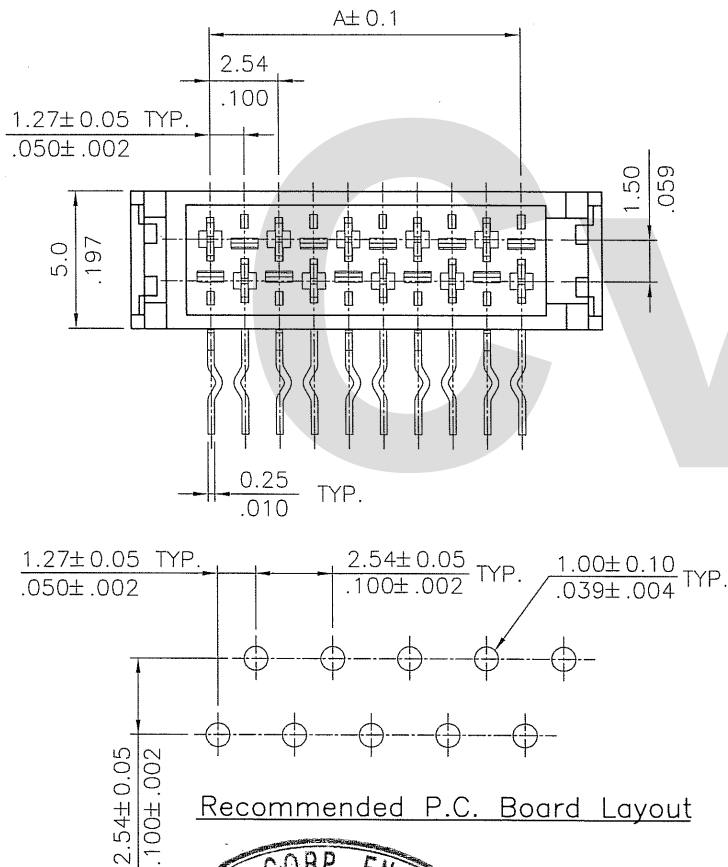
⑤ Color: 3= Red

⑥ Other Option:

00= Without Latch & With Polarization

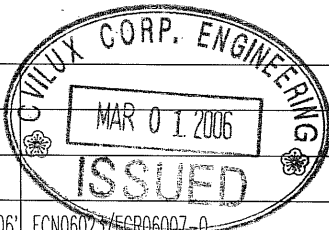
S0= Without Latch & Without Polarization


0L= With Latch



Recommended P.C. Board Layout

RoHS Compliant



④				DATE	UNIT: mm / inch	TITLE: 1.27mm Pitch Female Side entry DIP Type Connector	 瀚荃股份有限公司 CviLux Corporation
③				DRAWN BY: <i>Sandy</i> 2/22/06	TOLERANCE UNLESS OTHERWISE SPECIFIED	MATERIAL:	
②				ENGINEER: <i>Eisley</i> 2/24/06	.X ± 0.30/.012 X' ± 1'	FINISH:	DRAWING NO. CA3201S4 PART NO. CA32**H13**
①	Sandy	2/22/06	ECN06023/EGR06007-0	CHECKED BY: <i>AK</i> 2/24/06	.XX ± 0.20/.008 X ±		SCALE 4 / 1 SHEET 1 OF 1
SYM	NAME	DATE	REVISIONS	APPROVED BY: <i>AK</i> 2/24/06	.XXX ± 0.10/.004 XX ±		

<b>ENGINEERING</b> <b>DEPT.</b>	<b>PRODUCT SPECIFICATION</b> <b>1.27mm Pitch Male &amp; Female Connector</b>	<b>SPEC.NO.: SPCA009D</b> <b>PAGE: 1/4</b>
------------------------------------	---	---

1. SCOPE:

This specification contains the test requirement of subject connectors when tested under the condition and below standards base on CviLux test procedure

2. APPLICABLE STANDARDS:

MIL - STD - 202                      Methods for test of connectors for electronic equipment  
MIL - STD - 1344                  Test methods for electrical connectors

3. APPLICABLE SERIES NO.: **CA30/CA31/CA32 Series**

4. SHAPE, CONSTRUCTION AND DIMENSIONS

See attached drawings

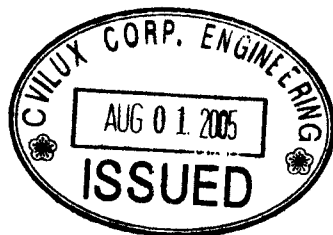
5. MATERIALS

See attached drawings

6. ACCOMMODATED CABLE AND P.C. BOARD:

6.1 Thickness: 1.6mm(.063")

6.2 P.C. Board Layout: See attached drawings



REVIEWED : Alex    APPROVED : Davin    VERIFIED : Zisley



<b>ENGINEERING</b> <b>DEPT.</b>	<b>PRODUCT SPECIFICATION</b> <b>1.27mm Pitch Male &amp; Female Connector</b>	<b>SPEC.NO.: SPCA009D</b>
		<b>PAGE: 2/4</b>

**7. ELECTRICAL PERFORMANCE:**

	ITEM	TEST CONDITION	
7.1	Rated current and voltage		1.5 A 230V AC/DC
7.2	Contact resistance	Dry circuit of DC 20 mV max. , 100 mA max.	Less than 10 mΩ
7.3	Dielectric strength	When applied AC 500 V 1 minute between adjacent terminal	No change
7.4	Insulation resistance	When applied DC 100 V between adjacent terminal or ground	More than 1000 MΩ

**8. MECHANICAL PERFORMANCE:**

	ITEM	TEST CONDITION	REQUIREMENT
8.1	Pin retention force	Push pin form insulator base at speed 25±3 mm per minute	0.5 Kgf. min./ per contact
8.2	Mating Force	Insertion force at speed 25±3 mm per minute	500 gram max./per contact
8.3	Un-Mating Force	Withdrawing force at speed 25±3 mm per minute	100 gram min./per contact
8.4	Cable Retention Force	Cable withdrawing force at speed 25±3 mm per minute	1.0 kgf min./ Per contact

**9. ENVIRONMENTAL PERFORMANCE:**

	ITEM	TEST CONDITION	REQUIREMENT
9.1	Temperature rise	Then carried the rated current	30°C max.
9.2	Vibration	1.5 mm 10-55-10 HZ/minute each 2 hours for X,Y and Z directions	Appearance: No damage Discontinuity: 1micro second max.
9.3	Solderability	Tin-Lead Process Soldering time: 5 ± 0.5 second Soldering pot: 230 ± 5°C Lead-Free Process Soldering time: 3 ± 0.5 second Soldering pot: 260 <sup>+0</sup> <sub>-5</sub> °C	Minimum: 90% of immersed area



ENGINEERING DEPT.	PRODUCT SPECIFICATION 1.27mm Pitch Male & Female Connector	SPEC.NO.: SPCA009D
		PAGE: 3/4

	ITEM	TEST CONDITION	REQUIREMENT
9.4	Resistance to soldering heat	Tin-Lead Process (TMD or SMD Type) Soldering time: $5 \pm 0.5$ second Soldering pot: $260^{+0}_{-5}$ °C Lead-Free Process (SMD Type) Refer recommended IR temperature profile	No damage
9.5	Hand Soldering Method	Use a soldering iron that has a sufficient head capacity and high stability of temperature. The tip of the iron should be shaped so as not to touch the part body directly. Temperature : $300 \pm 5$ °C 3s	No damage
9.6	Heat aging	$105 \pm 2$ °C , 96 hours	No damage
9.7	Humidity	$40 \pm 2$ °C , 90-95% RH , 96 hours measurement must be taken within 30 min. after tested	Appearance: No damage Contact resistance: Less than twice of initial Dielectric strength: To pass para 7-3
9.8	Temperature cycling	One cycle consists of : (1) $-40^{+0}$ °C , 30 min. (2) Room <sup>-3</sup> temp. 10-15 min. (3) $105^{+3}$ °C , 30 min. (4) Room <sup>0</sup> temp. 10-15 min.	Appearance: No damage Contact resistance: Less than twice of initial
9.9	Salt spray	Temperature: $35 \pm 3$ °C Solution: $5 \pm 1$ % Spray time: $48 \pm 4$ hours Measurement must be taken after water rinse	Appearance: No damage Contact resistance: Less than twice of initial

10. AMBIENT TEMPERATURE RANGE: -40 to + 105 °C