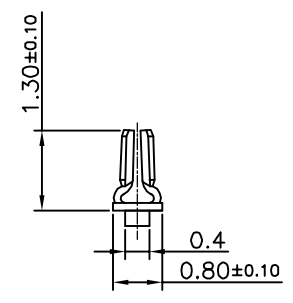
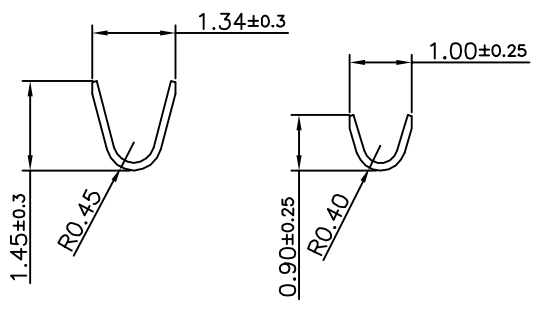
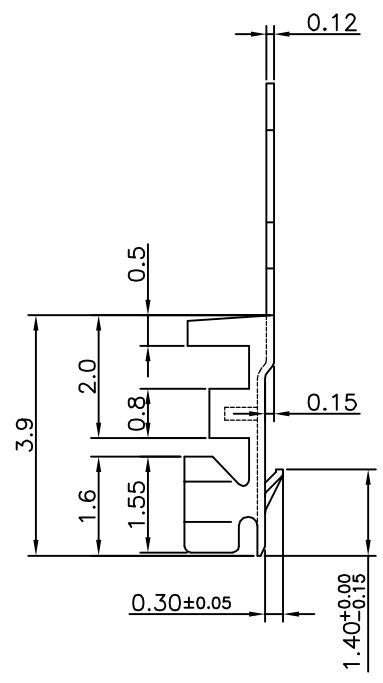
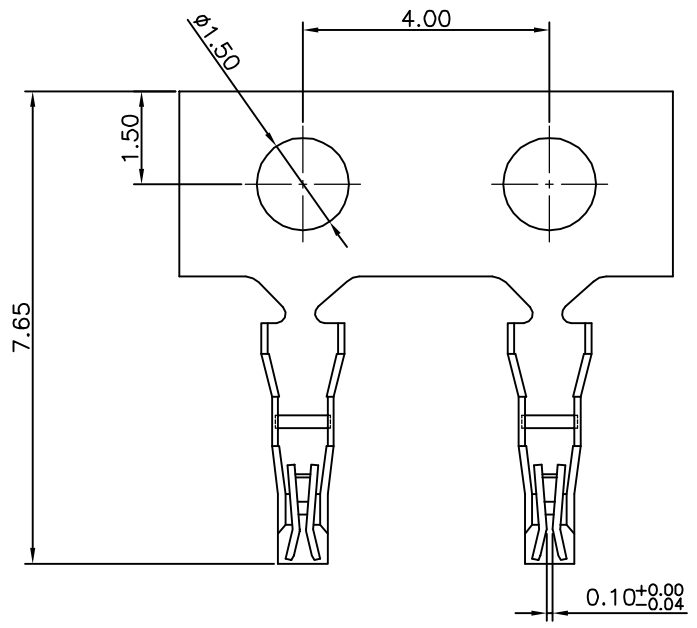


A4

REV.	ECN NO.	REVISIONS	REV.DRAWN	DATE
F	09151	修改电镀规格	Asimo	2009/08/03
G	----	修改SPECIFICATIONS	Asimo	2009/10/19
H	----	增加G4电镀规格	Asimo	2010/03/23
I	----	依客户要求, 增加开口尺寸	Sunquan	2010/05/28
J	11041	依客户要求, 修改卡钩高度及形状	Asimo	2011/12/27



SPECIFICATIONS:

- VOLTAGE RATING: 50V AC/DC
- CURRENT RATING: 1A, AC/DC
- WITHSTANDING VOLTAGE: 500V AC/DC
- INSULATION RESISTANCE: 100MΩ Min.
- TEMPERATURE RANGE: -25°C~+85°C
- CONTACT RESISTANCE: INITIAL VALUE: 20mΩ Max. AFTER ENVIRONMENTAL TESTING: 40mΩ Max.

NOTES:

- MATERIAL: PHOS.BRONZE(C5210-SH T=0.12)
- Q'TY: 15,000 PCS/REEL
- APPLICABLE WIRES: AWG#32~28
- PART No.

	JS-1253-TXX	0: NO PLATING
先镀后冲	—BLANK:	Sn>50μ" Ni>10μ"
TIN PLATED	—2:	Sn>100μ" Ni>30μ"
	—4:	Sn>50μ" Ni>10μ"
GOLD PLATED	—G0:	Au>0.8μ" Ni>30μ"
	—G1:	Au>3.0μ" Ni>30μ"

符合环境管理物质

X. ± 0.40	X.* ± 5.0'	UNITS: mm	NAME(INTENDED USE):		
.X ± 0.30	.X* ± 2.0'	MATERIAL:	CUSTOMER		
.XX ± 0.20	.XX* ± 1.0'	SEE NOTE	PART NO.(INTENDED USE):	TITLE:	
.XXX ± 0.10	.XXX* ± --	FINISH:	JS-1253-T	1.00mm Crimp Style Connector	
THESE DRAWINGS AND SPECIFICATIONS ARE THE PROPERTY OF CHYAO SHIUNN ELECTRONIC CO., LTD. AND SHALL NOT BE REPRODUCED, COPIED OR USED IN ANY MANNER WITHOUT THE PRIOR WRITTEN CONSENT OF CHYAO SHIUNN ELECTRONIC CO., LTD.		SEE NOTE	APPD:	DWG NO.:	
		Q'TY:	CHKD:	010-0015-1253-T	
		SEE NOTE	DR:	Asimo 2010/03/23	
			SCALE	SHEET	REV.
			8:1	1/1	J