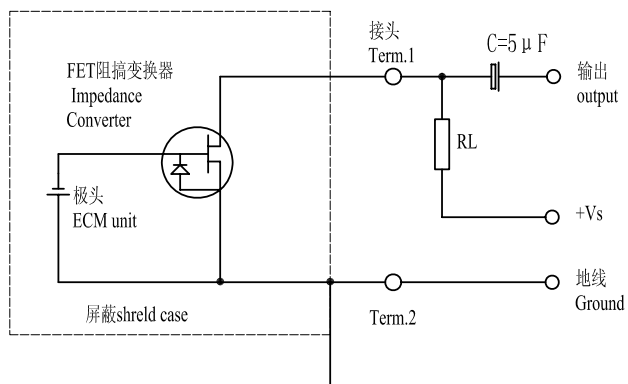


原理图



编号 NO.	项目 Items	规格 Specifications
1	额定电压 Rated Voltage	4.5V
2	工作电压 Operating Voltage	1.5V~10V
3	灵敏度 Sensitivity	-38 ± 2dB at 1KHz(0dB=1V/ μ Pa) -58 ± 2dB at 1KHz(0dB=1V/ μ bar)
4	消耗电流 Current Consumption	0.5mA Max
5	频率范围 Frequency	100~16,000Hz
6	信噪比 S/N Ratio	≥60dB
7	灵敏度减低 Sensitivity Reduction	within-3dB at 1.5V
8	方向性 Directivity	Omnidirectional
9	测试条件 Testing Condition	1000Hz, Vs=4.5V, RL=2.2K Ω
10	壳体材料/颜色 Shell Material/Color	AL/Silver
11	工作温度 Operating Temperature	-25~+55 °C
12	贮存温度 Store Temperature	-25~+55 °C
13	重量 Weight	0.9g
备注 Note:		

TOLERANCES UNLESS NOTED OTHERWISE .X ± .XX ± .XXX ± 90° FORMED +2° ANGLES -1°	DRAWN		MODEL NO.	CUSTOMER			
	DESIGN		CFCM18WB	CUSTOMER NO.			
	CHECKED			VER	1.0	SCALE	
	APPROVED		DATE	05.10.19	UNIT	mm	SHEET
	CONTRACT NO.		AGENCY APPROVAL				

△			
△			
△			
△			
NO.	DATE	REVISION	REFERENCE DWG
1			