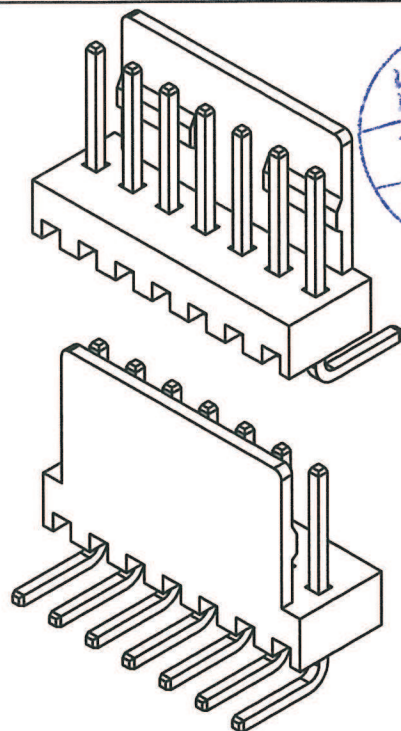
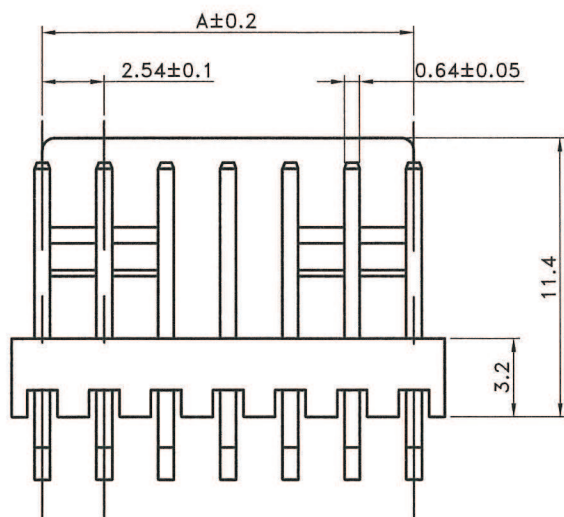
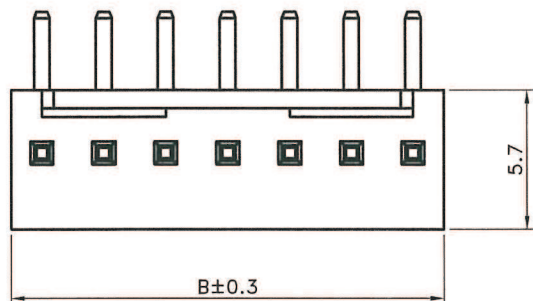
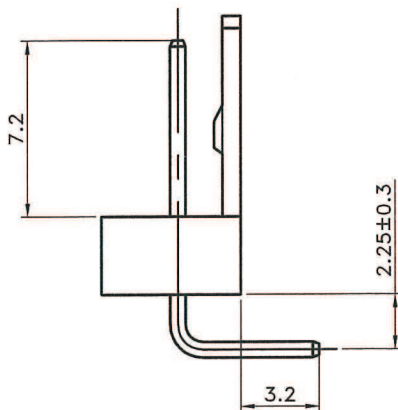


Recommand PCB Layout

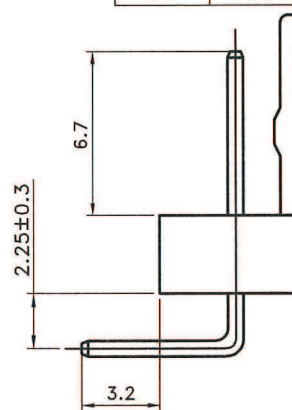


出圖
101.2.-9
工程

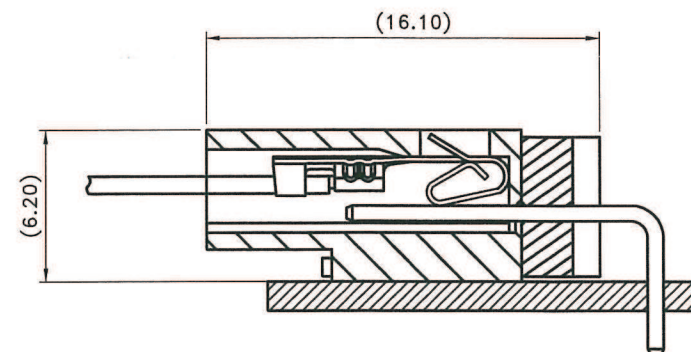
Poles	Dimensions(mm)	
	A	B
2	2.54	5.08
3	5.08	7.62
4	7.62	10.16
5	10.16	12.70
6	12.70	15.24
7	15.24	17.78
8	17.78	20.32
9	20.32	22.86
10	22.86	25.40
11	25.40	27.94
12	27.94	30.48
13	30.48	33.02
14	33.02	35.56
15	35.56	38.10



JS-7001-XX



JS-7001-XX(L)



Assemble View

■ SPECIFICATIONS

- Current Rating : 3A AC/DC
- Withstanding Voltage : 1000V AC/minute
- Insulation Resistance : 1000MΩ min
- Temperature Range : - 25°C to + 85°C
- Contact Resistance : 20mΩ max

■ WAFER

- Part No. : JS-7001-XX(XXXXXX)
① ② ③ ④

Product Code

① Poles NO:02~15

② Base Mateial:

Blank:Nylon66 UL94V-2
PAS:Nylon46 UL94V-0

③ Plated:

G:Gold Plated
G1:Gold 1μ"

④ Pin Angle:

Blank:Right Angle
L:Left Angle

- Material : Contact : Brass, Tin Plated
Base : Nylon 66 UL94V-2
- Q' ty : 1000 pcs./Bag



喬訊電子工業股份有限公司
CHYAO SHIUNN
ELECTRONIC INDUSTRIAL LTD.

APPROVED BY	SCALE	UNIT	TOLERANCE	LTR	REVISION RECORD	NAME	DATE	LTR	REVISION RECORD	NAME	DATE
張育瑞		mm	.0 ±0.30	△	變更原因遺失	余秀麗	05/05/15	△			
CHECKED BY	PROJ	VER NO.	.00 ±0.20	△	日期修改	王誠賢	10/02/23	△			
			.000 ±0.10	△	合併圖面	林謙豪	12/02/07	△			
DRAWN BY	DATE	SIZE	ANGLE						CUSTOMER		
林謙豪	2012/02/07	A4	0° ±1°	△					Conforms to The RoHS Instruction		
			.0° ±	△							
			SHEET	1/1	△						

PART NO JS-7001-XX
2.54mm Crimp Style Connectors Wafer