

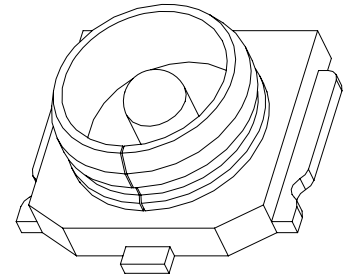
CONNTHERM	Product Specification			Page: 1/4
	RF-IPX085-3G	Approved/Date	Checked/Date	Made/Date

1、Scope

The product described in this paper is a SMT Type Micro Coaxial RF Receptacle, whose part name in our comply is USS RF REC..It is special for Microsrip-to-Coaxial adapter in RF circuit, Such as Mobile Phone, Wireless Net, MiniPCI, BlueTooth, PDA, GPS, Electric Measurement Instruments and so on.

2、Technical Parameters

2.1 Rated Voltage	60VAC (R. M. S)
2.2 Frequency Range	0~6GHz
2.3 Character Impedance	50Ω
2.4 Operate Temperature	-40°C ~ +90°C
2.5 Operate Humidity	90% MAX



3、Electric Performance

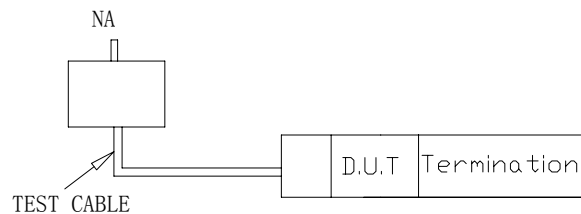
3.1 Dielectric Resistance	500MΩ
3.2 Dielectric Withstand Voltage	200V AC 1Min
3.3 Contact Resistance(接触阻抗)	

3.3.1 Inner Contact	Initial: 15 mΩ max After(测试后): 20 mΩ max
3.3.2 Outer Contact	Initial: 10 mΩ max After(测试后): 15 mΩ max

3.4 VSWR

≦ 3GHz	3-6GHz
1.3 max	1.4 max

3.4.1 Test Method:



4、Mechanical Performance

4.1 Durability	30 Cycles
4.2 Shock	Accerlaration: 735m/s ² , 11ms (Time), Waveform: Half-wave waveform, 6 Cycles In Each X-Y-Zaxis
4.3 Vibration	Frequency: 10-100Hz, single amplitude of 1.5mm, acceleration of 59m/s ² . for 5cycles in the direction of each of the 3axis.

CONNTHERM	Product Specification			Page: 2/4
	RF-IPX085-3G	Approved/Date	Checked/Date	Made/Date

5、Environment Performance

5.1 Temperature & Humidity Cycling TEM.: 60°C Relative Humidity: 95% RH Time: 96 hours

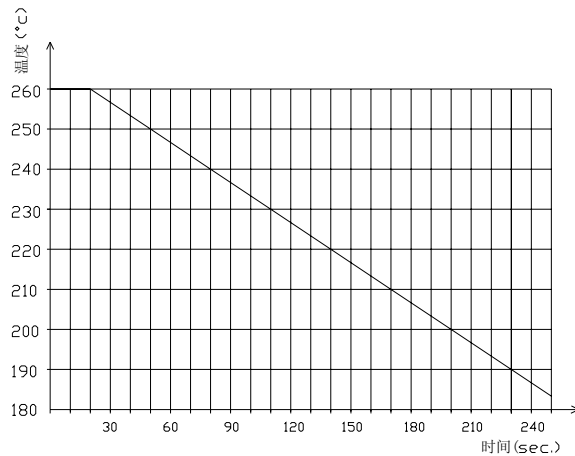
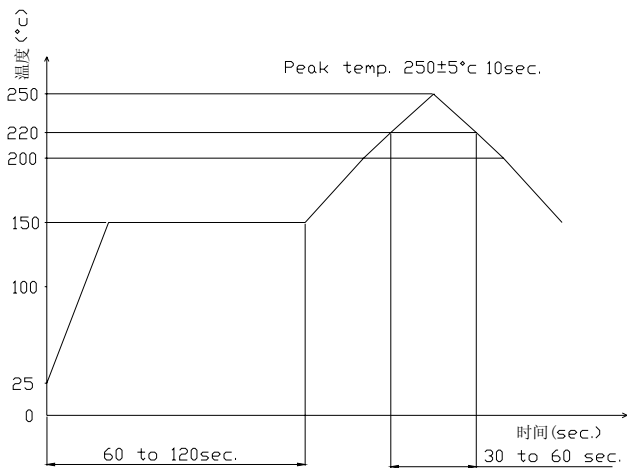
5.2 Salt spray Temp.: 35°C Conduction: 5% Time: 48 hours

5.3 Solderability The Sn Immersed Area must beyond by 95%.

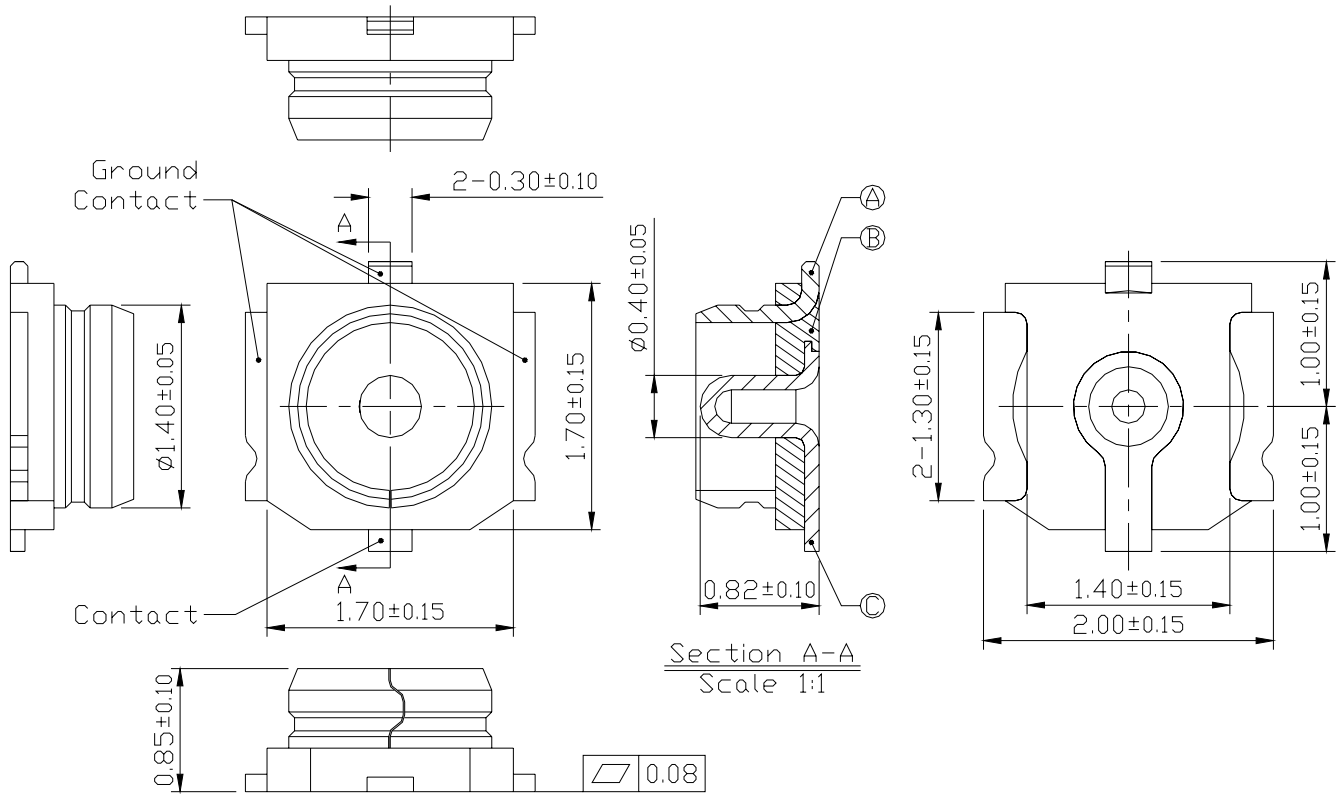
6、SMT Temperature Curve

6.1 Recommended tem.&time relative curve of Re-flow.

6.2 Extremed tem.&time curve of Re-flow

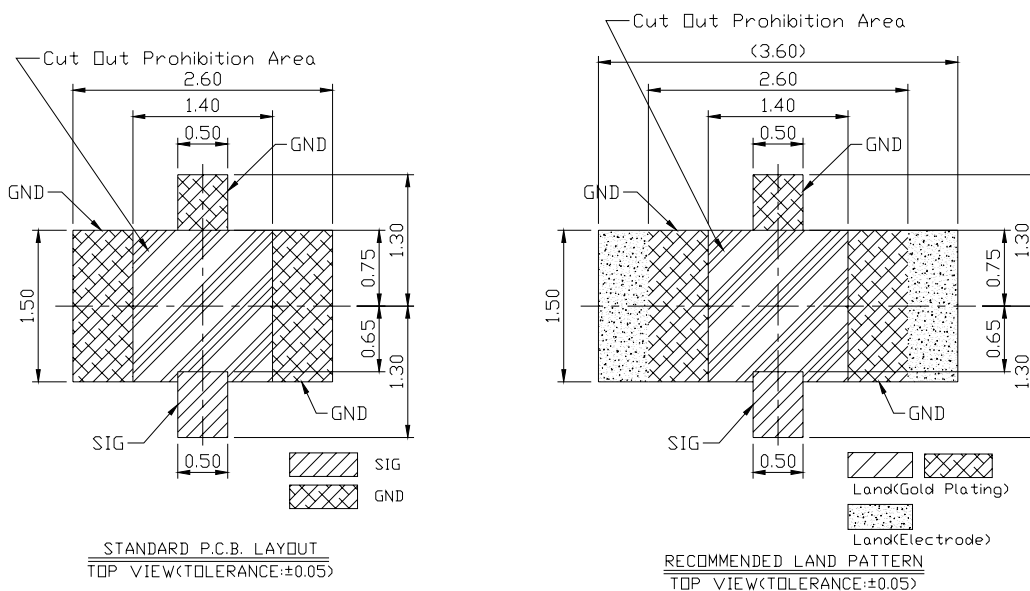


7、Profile Dimension



◎	CONTACT	1	COPPER ALLOY/GOLD PLATED OVER Ni
ⓑ	HOUSING	1	HIGHT TEMP. PLASTIC UL94V-0/BLACK
Ⓐ	SHELL	1	COPPER ALLOY/Ag PLATED OVER Ni
ITEM	PART NAME	Q'TY	MATERIAL/FINISH

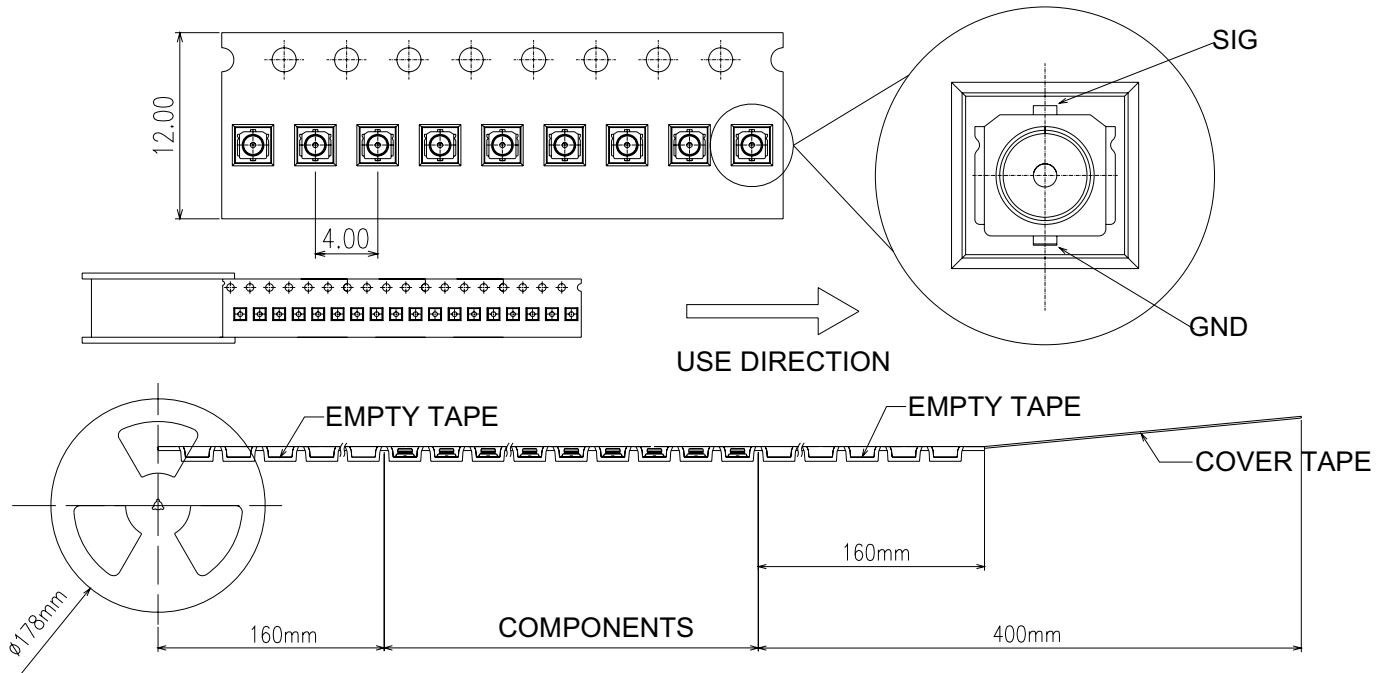
8、PCB LAYOUT



CONNTHERM	Product Specification			Page: 4/4
	RF-IPX085-3G	Approved/Date	Checked/Date	Made/Date

9、Packaging SPEC.

9.1 Tape Assembly Method and the volume is 3000Pcs per Reel (Φ178mm)



10、Storage Condition

Temperature: -10 ~ +40 °C

Relative Humidity: 15 ~ 85 % RH

Life: Half Year.