

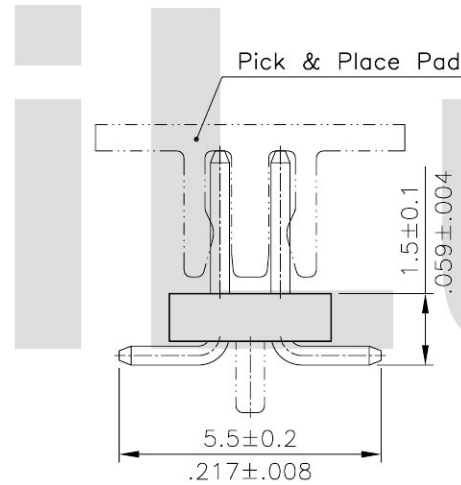
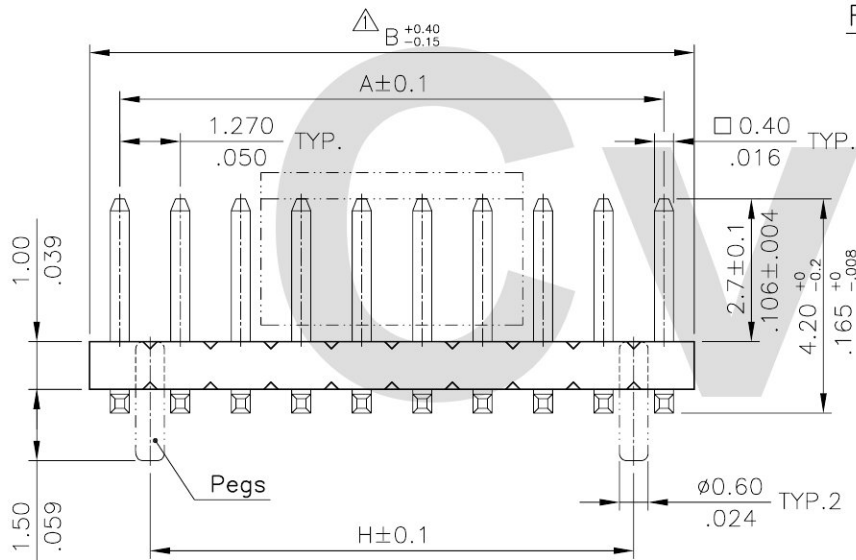
Material:

- * Insulator: LCP With 30% GF.
UL 94V-0 Color Black
- * Square Pin: Brass
- * Pegs: Brass , Tin plated
- * Pick & Place Pad:
Nylon 6T
UL 94V-0 Color Nature

Ordering Code:

CH51 ** * M 1 02 - * *
① ② ③ ④ ⑤ ⑥ ⑦ ⑧

Recommended P.C. Boarded Layout



- ① Series No.
- ② No. of Contact: 06 to 100(X1=100)
- ③ Plating code:
2=Gold Flash plated over
1.27µm(50µ") Nickel
3=0.38µm(15µ") Gold plated
over 1.27µm(50µ") Nickel
4=0.76µm(30µ") Gold plated
over 1.27µm(50µ") Nickel
- ④ Tail & Mounting Style:
M=Straight SMT Type
- ⑤ Insulator Material & Color:
1=LCP , Color Black
- ⑥ Option Code:
See Table PDF. File No. CH5102T
- ⑦ 0=Without Peg
P=With Peg
- ⑧ 0=Without Pick & Place Pad
(Tube packaged)
P=With Pick & Place Pad
(Tape & Reel packing)

DIM. A = 1.27 X No. of Spaces

DIM. B = DIM. A + 1.27

DIM. H = DIM. A - 1.27

* Available in 6 through 100 Circuits

RoHS Compliant

4					DATE	UNIT: mm / inch	TITLE: 1.27mm(.050") DUAL ROW SURFACE BOARD MOUNT PIN HEADER	瀚荃股份有限公司 CviLux Corporation
3				DRAWN BY: Sandy	8/27 04'	TOLERANCE UNLESS OTHERWISE SPECIFIED	MATERIAL:	
2				ENGINEER: Eisley	8/30 04'	.X ± 0.25/.010 X' ± 1'	CUSTOMER: BVI127	DRAWING NO. CH5104SB PART NO. CH51***M102-***
1	Sandy	08/27/04'	ECN04327	CHECKED BY: David	8/30 04'	.XX ± 0.15/.006 .X' ±		SCALE 6 / 1 SHEET 1 OF 1
SYM	NAME	DATE	REVISIONS	APPROVED BY: Alex	8/30 04'	.XXX ± 0.08/.003 .XX' ±		