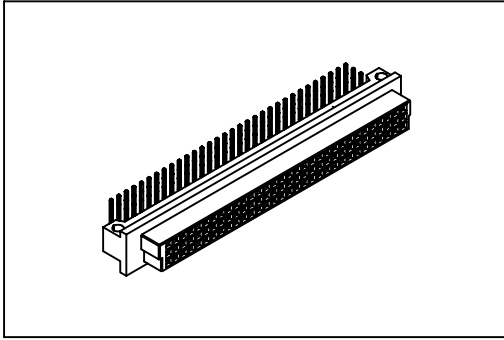


9001 Series

DIN41612 R Type Female



Material:

Housing: 30% Glass filled PBT UL94V-0.

Contacts: Phosphor Bronze.

Electrical Characteristics:

Current Rating: 2 AMP.

Dielectric Withstanding Voltage: AC 1000V For 1 minute.

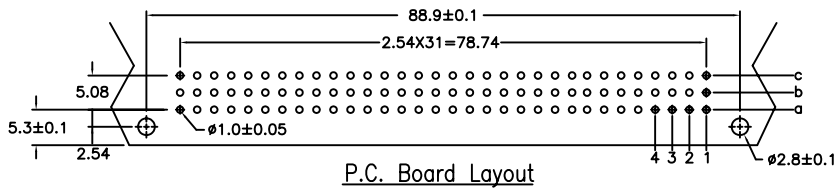
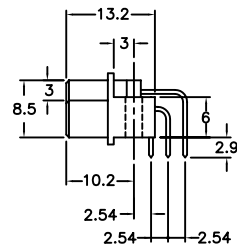
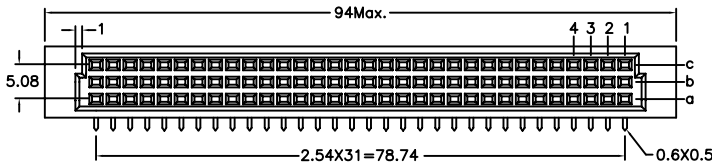
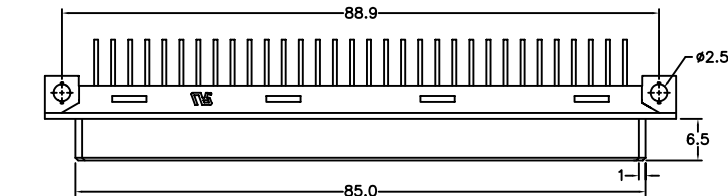
Insulator Resistance: 1000M Ω min. at DC 500V.

Contact Resistance: 30m Ω max. at DC 100mA.

Operating Temperature: -55°C ~ +105°C.

Features:

- * UL, cUL listing.
- * Mates with Male 3Row
 9001-1196, 1164 C Type.
 9001-1396, 1364 R Type.



Pitch	Position	Rows with Contacts	Contact Arrange
2.54mm	96	a b c	
	64	a - c	
	32	a - -	
5.08mm	48	a b c	
	32	a - c	
	16	a - -	

Ordering information

<u>9001</u> -	<u>1</u>	<u>4</u>	<u>96</u>	<u>1</u>	<u>C</u>	<u>00</u>	<u>L1</u>	<u>A</u>
Series	1: 2.54mm	4: Female Position		1: Dip Length	C: Dip Tin Contact Gold G: Gold	00: G/F 10: 10 μ " 15: 15 μ " 30: 30 μ "	Blank: W/O Lock L1: With Lock See Page CA04	A: Tray Package

*Standard Gold Flash.