

## 6mm square single turn

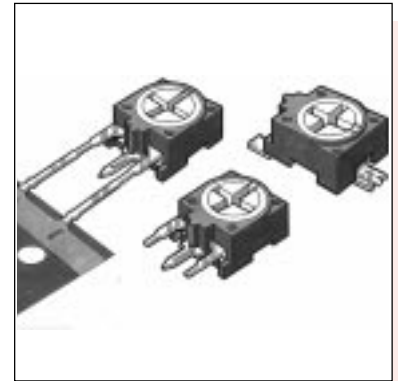
### type N6 series

An innovative fully enclosed trimmer potentiometer. The element is a patented technique using special carbon polymer inks on polyester film and the device is packaged on tape as standard for auto insertion. The units can be adjusted from either side, have a full 280° of adjustment and have a wide value range. The N6 is designed for consumer applications but will be widely used in a range of telecomms, instrumentation, medical and automotive industry sectors.

PCB Trimmers

### Key features

- small dimensions
- fully enclosed
- both side adjustment
- available on tape or bulk packed
- special carbon on film technology
- full 280° rotation
- -25°C to +70°C temperature range
- available from stock



### Specification

#### Electrical

Resistance Range:	200R to 1M (Linear)
Resistance Values:	1, 2.2, 2.5, 4.7, 5 in each decade
Resistance Tolerance:	± 30%
End Resistance:	<2% or 10R whichever is greater
Rotational Noise (CRV):	<5%
Power Rating:	0.1W maximum at 40°C
Element Voltage:	100V DC
Electrical Rotation:	245° ±25°

#### Mechanical

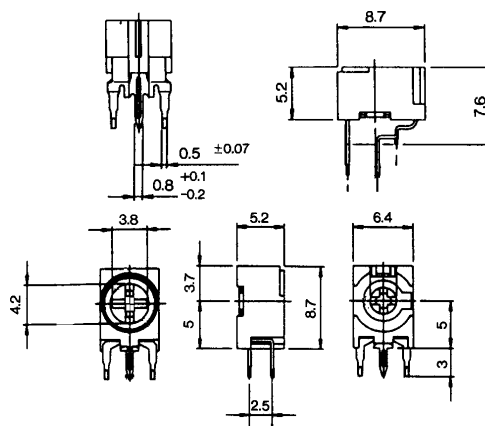
End Stop Torque:	>35 mNm
Operating Torque:	2 - 30 mNm
Mechanical Adjustment:	280° nominal

#### Environmental

Temperature Range:	-25°C ~ +70°C
Rotational Life:	100 cycles
Load Life:	ΔR <10% after 1000 hours

### Dimensions

#### N6 L25



#### N6 S25

### How To Order

N6	S25	TO	102	N	
Common Part	Adjustment Style	Pack Style	Resistance Value		Tolerance
N6	S25 - Side Adjust L25 - Top Adjust L30 - Top Adjust (Taped)	TO - Bulk TI - Taped	The first two digits are significant figures of resistance value and the third one denotes the number of zeros following Example 1K :102 10K :103 100K:104		N - ± 30%

Please Request Full Data Sheet F0246

**sales action desk (01793) 611666**  
**sales fax line (01793) 511513**

If you require information on taped product for auto insertion, please discuss with our sales staff, as we have alternative styles to fit various auto insertion equipment.