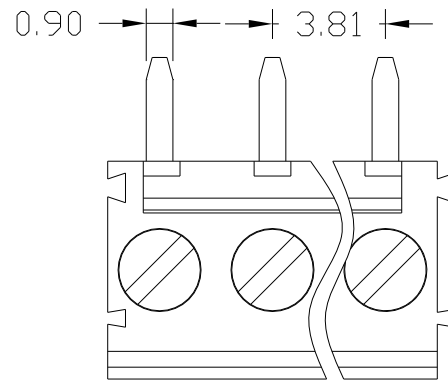
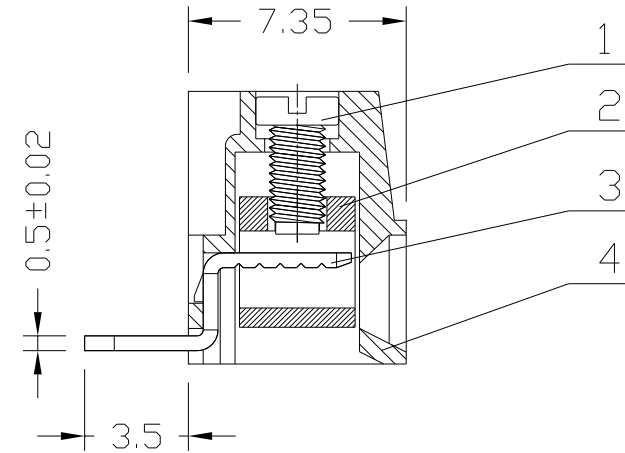
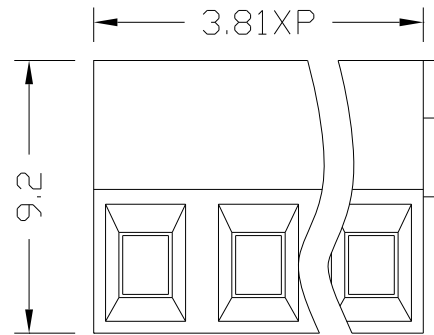


序号/RevNo.	名称/Title	文件编号/File No.
1	XY302螺丝	
2	XY302铜方块	
3	XY302R端子	
4	XY303塑件	



130V 9A 0.75mm²

Poles: 2P&3P

Pitch: 3.81&7.62mm

Pin Dimension: 0.5X0.9mm

Materials

Housing: Polyamide 6.6, Green

Solder Pin: Brass, 0.5t, Tin Plated.

Wire Cage: Brass, Tin Plated.

Screw: M2.0, Steel, Zinc Plated.

设计/Designed by	绘图/Drawing by	审核/Checked by	批准/Approved by	未注公差 General Tolerance	
		图名/Title	文件编号/File No.	x. ±0.2	x.' ±2°
		XY303R产品图	页序/Sheet	.x ±0.1	.x' ±1°
备注/Remark				.xx ±0.05	.xx' ±0.5°
				.xxx ±0.01	
				单位/Units: mm	

序号/RevNo.	更改记录/Revision note	签名/Signature	日期/Date