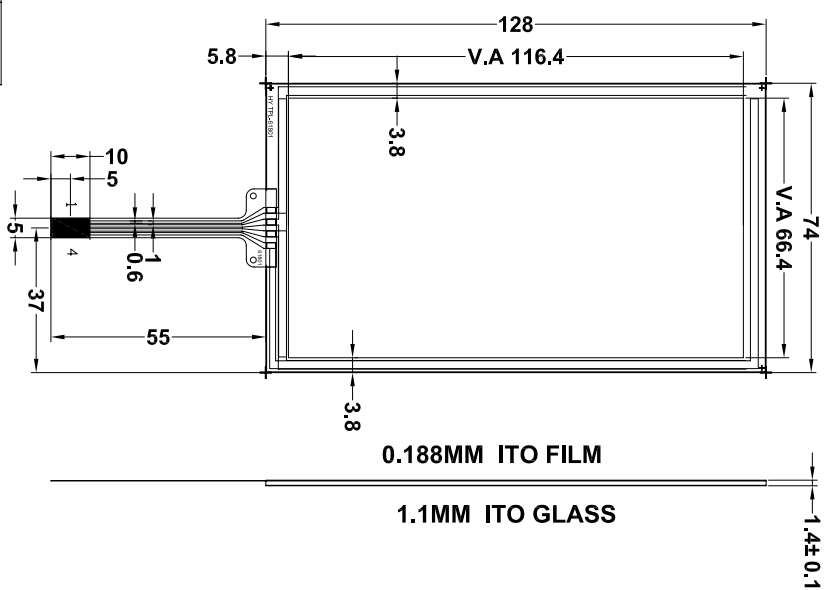
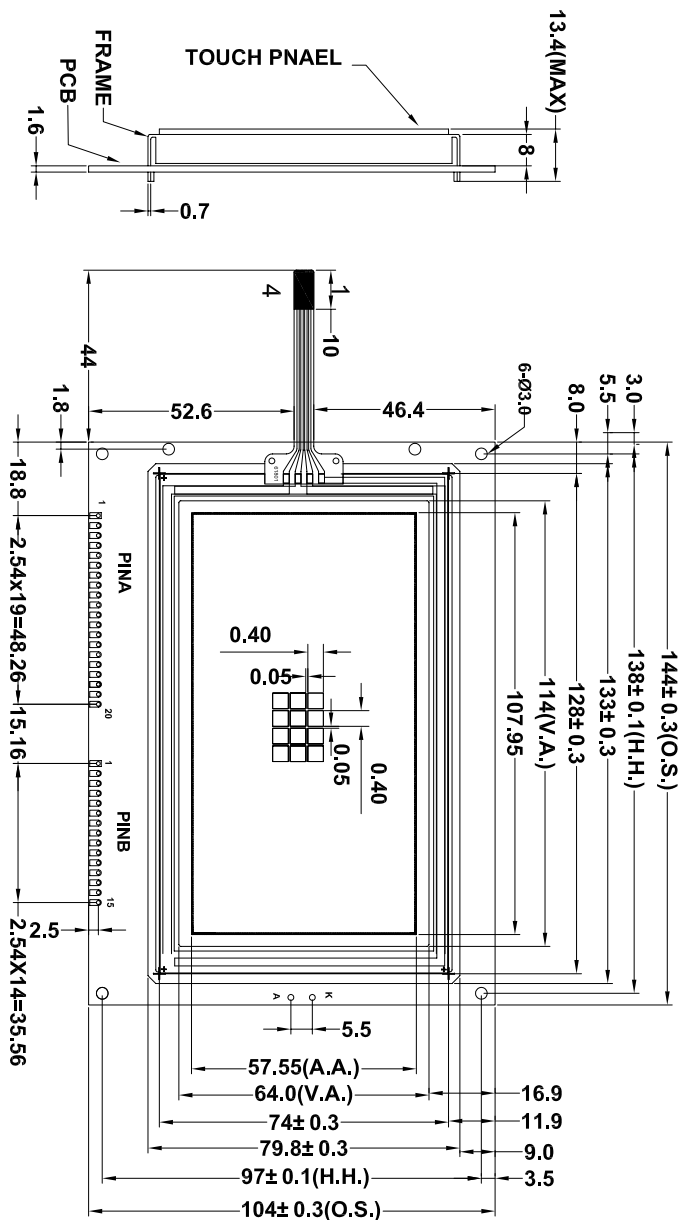


Note: This is only the draft for quotation reference, please don't take it as the tooling basis

Ver	Date	Modify Contents	Issue	Confirm



TOUCH PANEL:

PIN	SIGNAL	PIN	SIGNAL
1	Y1	3	Y2
2	X1	4	X2

PINA

PIN	SIGNAL	PIN	SIGNAL
1	VEE	11	DB1
2	VSS	12	DB2
3	VDD	13	DB3
4	V0	14	DB4
5	/WR	15	DB5
6	/RD	16	DB6
7	/CE	17	DB7
8	C/D	18	FS
9	/RST	19	LED+
10	DB0	20	LED-

PERFORMANCE FEATURES

LC FLUID	<input type="checkbox"/> TN <input type="checkbox"/> HTN <input checked="" type="checkbox"/> STN <input type="checkbox"/> FSTN
POLARIZER TYPE	<input type="checkbox"/> TRANSPARENT <input checked="" type="checkbox"/> TRANSMISSIVE <input type="checkbox"/> REFLECTIVE
	<input type="checkbox"/> POSITIVE <input checked="" type="checkbox"/> NEGATIVE
LCD COLOR	<input type="checkbox"/> YELLOW-GREEN <input checked="" type="checkbox"/> BLUE <input type="checkbox"/> GRAY <input type="checkbox"/> BLACK
BACKLIGHT TYPE	<input type="checkbox"/> Array LED <input checked="" type="checkbox"/> Edge LED <input type="checkbox"/> EL <input type="checkbox"/> CCFL <input type="checkbox"/> Without
BACKLIGHT COLOR	<input type="checkbox"/> YELLOW-GREEN <input type="checkbox"/> BLUE-GREEN <input type="checkbox"/> RED
	<input type="checkbox"/> AMBER <input type="checkbox"/> BLUE <input type="checkbox"/> GREEN <input checked="" type="checkbox"/> WHITE <input type="checkbox"/> Without
VIEWING ANGLE	<input checked="" type="checkbox"/> 6:00 <input type="checkbox"/> 12:00
TEMP. RANGE	<input type="checkbox"/> STANDARD <input checked="" type="checkbox"/> WIDE <input type="checkbox"/> SUPER WIDE
DC-DC IC	<input type="checkbox"/> Built-in <input type="checkbox"/> Without
ROHS	<input checked="" type="checkbox"/> YES <input type="checkbox"/> NO
IC	T6963C+NT7086
REMARKS	FECG240128A-NSWBW-51TN+TOUCH PANEL



FORDATA ELECTRONIC CO.,LTD
厦门孚德电子有限公司

DRAWN BY: *[Signature]*

DRAFT

CHECKED BY: FDZ82 *[Signature]*

UNIT: mm

CHECKED BY: FEQC000000

REV. A01

DATE: 2009-10-19

SHEET 1 OF 1

