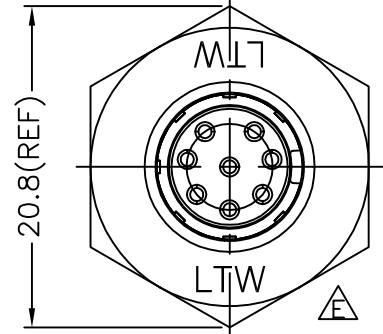


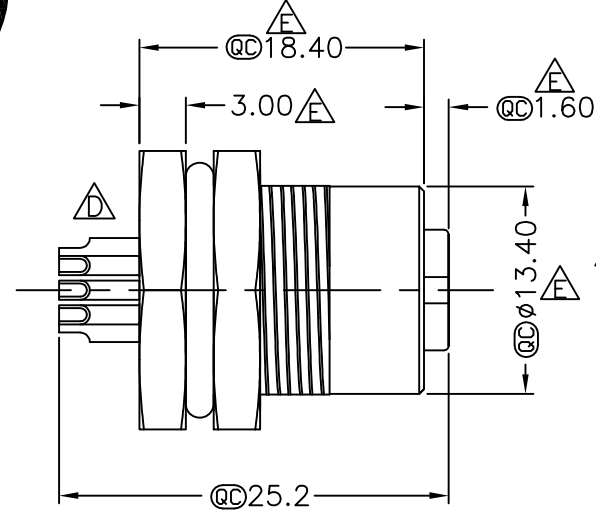
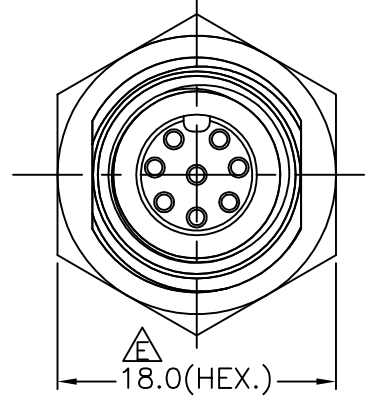
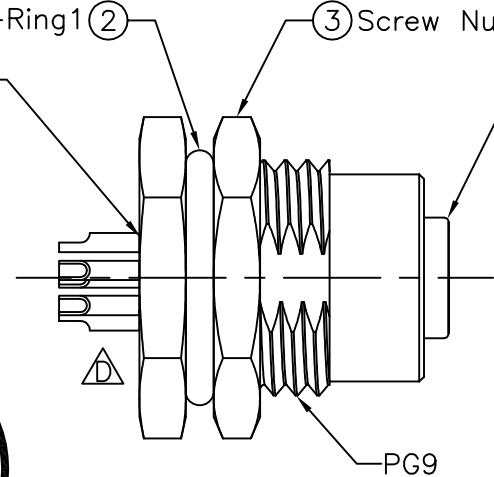
REV.	ECN NO.	DATE	SIGN	DESCRIPTION
C	LEN-7A0013	2007/10/01	Rommel A. Vergara	Add Note.
D	LEN-7C0086	2007/12/17	Cloud	Correct the pin style.
E	LEN-040050	2010/03/30	Vicky	REF. TO ECR/N.NOTE.

ALTW  
CONFIDENTIAL  
2010.03.30  
R&D DEPT.

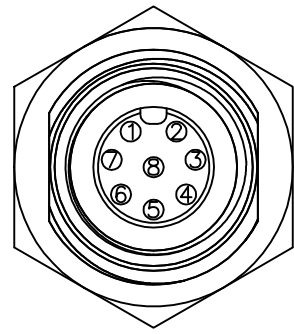


ALTW  
DCC. DEPT.  
CONFIDENTIAL  
2010.04.12  
ISSUED

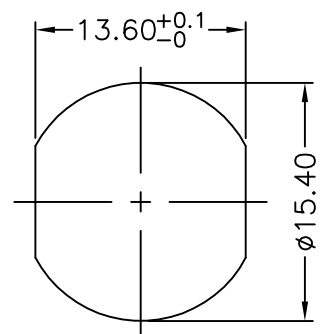
O-Ring1 ②  
Screw Nut ③  
Connector ①  
O-Ring2 ④



- Note:
- \* @C Important Dimension.
  - \* E Waterproof Rate: IP68.  
IP68: 1M Depth Of Water In 24hours.
  - \* Housing: Nylon+GF, Black.
  - \* Female Pin: Copper Alloy, Gold Plated.
  - \* Shield: Zinc Alloy, Nickel Plated.
  - \* Nut: Zinc Alloy, Nickel Plated.
  - \* O-Ring1: EPDM, Black.
  - \* O-Ring2: Viton, Green.
  - \* B For Panel Thickness Max 4.5mm.
  - \* C Nut Torque: 4-6 Kg.cm



Pin Assignment  
Front View



Recommended Panel Cut-Out

UNIT:mm	
TOLERANCE	
.X	±0.25
.XX	±0.1
.XXX	±0.05
ANGLES	±1°

TITLE		M12 Conn	
Panel Screw 8Pin F Conn F Pin			
SCALE	Free	SHEET	1 OF 1
REV.	E	SIZE	A4
@C : Inspection Item			

**Amphenol LTW**  
安費諾亮泰企業股份有限公司

ITEM NO	12-08PFFS-SF8001
DWG NO	12-08PFFS-SF8001
CUSTOMER	ALTW

DRAWN BY	Vicky
CHECKED BY	Simon
APPROVED BY	Lion

DATE	2010/03/30
DATE	2010/03/30
DATE	2010/03/30

THIS DOCUMENT IS SUBJECT TO CHANGE WITHOUT NOTICE. IT IS CONFIDENTIAL AND A PROPERTY OF AMPHENOL LTW. DISCLOSURE TO THIRD PARTY HAS TO BE AUTHORIZED BY AMPHENOL LTW.