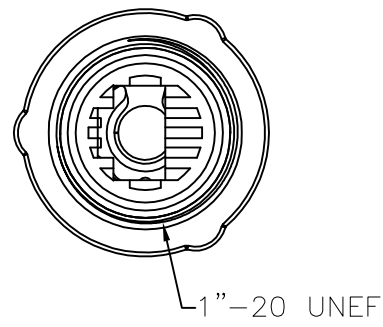
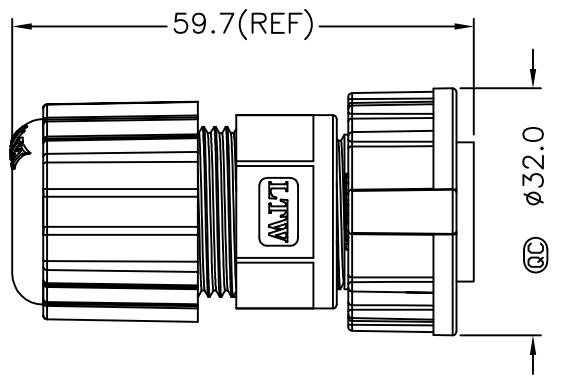
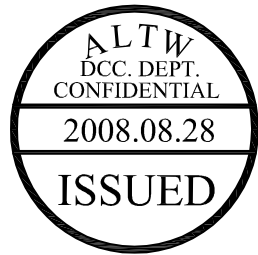


5	6	7	8
REV. B	ECN NO.	DATE 2008/01/08	SIGN Zeus
C	LE3-880063	2008/08/20	Kathy
			DESCRIPTION
			Change Screw Nut Material in note
			Change The Clamp Ring & Gasket

THIS DOCUMENT IS SUBJECT TO CHANGE WITHOUT NOTICE. IT IS CONFIDENTIAL AND A PROPERTY OF Amphenol LTW. DISCLOSURE TO THIRD PARTY HAS TO BE AUTHORIZED BY Amphenol LTW.



- Note:
- * @C Important Dimension.
 - * Waterproof Rate: IP67
 - * O-Ring: Black, EPDM
 - * Body: Nylon+GF
 - * Screw Nut: Nylon+GF
 - * Support: Black, TPU
 - * Half-Finished Goods: Nylon(Black)& Silicone(Gray_Black)
 - * Seals: Black, EPDM
 - * Sealing Nut: Black, Nylon
 - * Cable OD Max: φ6.5



UNIT:mm		TITLE RJ45 Assy Screw M Conn M Pin	Amphenol LTW	ITEM NO RJ-00BMMA-SL7001	DRAWN BY Kathy Huang	DATE 2008/08/20
TOLERANCE .X ±0.25 .XX ±0.1 .XXX ±0.05 ANGLES ±1°	SCALE Free	SHEET 1 OF 1	安費諾亮泰企業股份有限公司	DWG NO RJ-00BMMA-SL7001	CHECKED BY Tracy Chen	DATE 2008/08/20
1	2	3	4	CUSTOMER ALTW	APPROVED BY Simon Hung	DATE 2008/08/20
		@C :Inspection Item				8 FMW0702-01-01A2