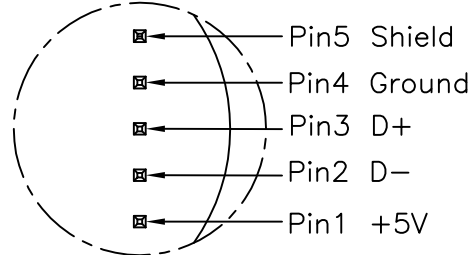
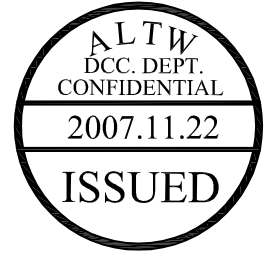
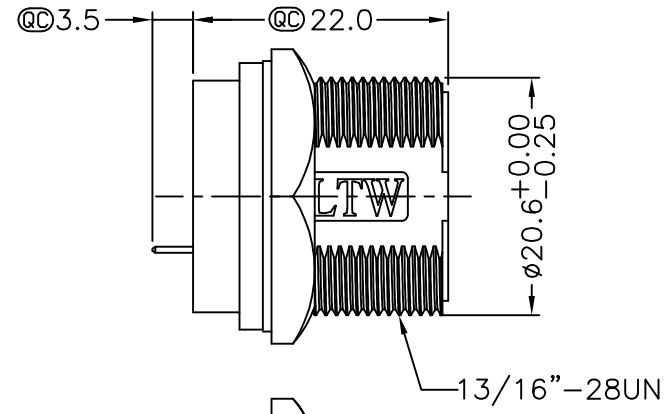
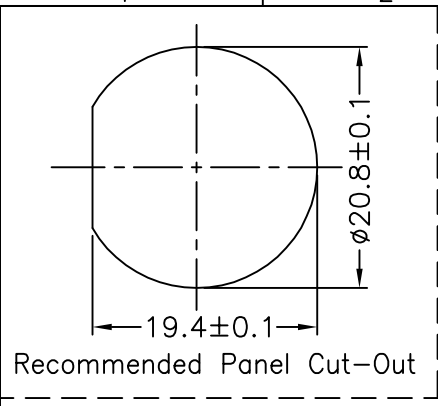
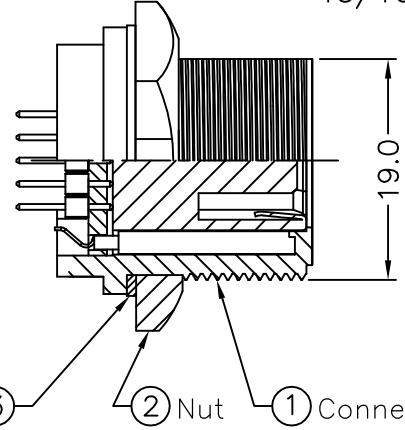
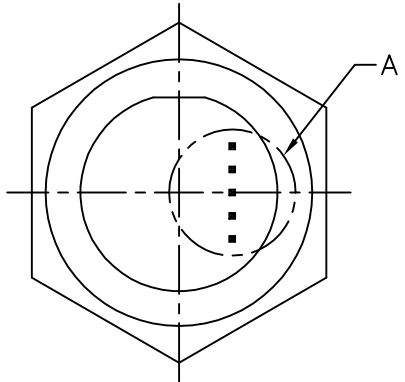


REV. B	ECN NO. LEN-7B0141	DATE 2007/11/15	SIGN Gao Ling	DESCRIPTION Modify Panel Thickness
--------	--------------------	-----------------	---------------	------------------------------------

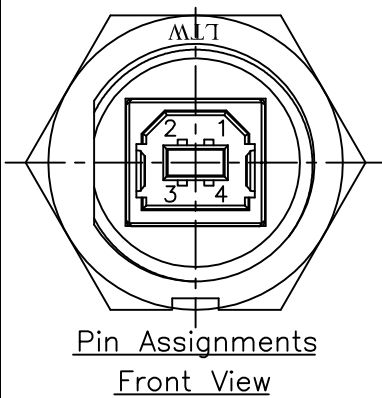
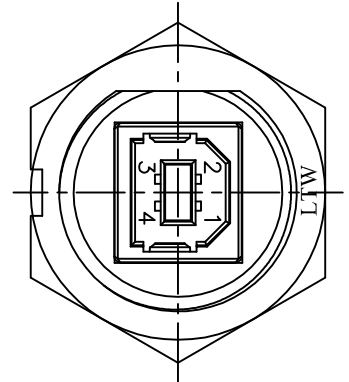
THIS DOCUMENT IS SUBJECT TO CHANGE WITHOUT NOTICE. IT IS CONFIDENTIAL AND A PROPERTY OF Amphenol LTW. DISCLOSURE TO THIRD PARTY HAS TO BE AUTHORIZED BY Amphenol LTW.



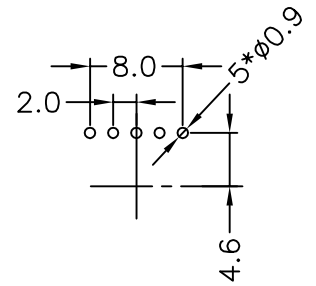
DETAIL A  
SCALE 2:1



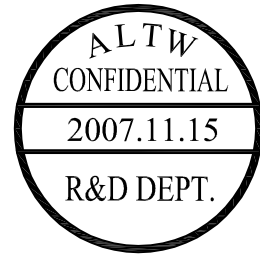
Gasket ③ Nut ② Connector ①



Pin Assignments  
Front View



PCB Layout



- Note:
- \* @@Important Dimensions.
  - \* Waterproof Rate: IP68
  - \* USB B: Female PCB Type, Gold Plated
  - △\* Use with waterproof cap or dust cap For Panel Thickness Max: 2.8mm
  - △\* Use without waterproof cap or dust cap For Panel Thickness Max: 4.0mm

UNIT:mm		TITLE USB B Type Male Connector For Panel Mount(Circular)	
TOLERANCE .X ±0.25 .XX ±0.1 .XXX ±0.05 ANGLES ±1°	SCALE Free	SHEET 1 OF 1	
REV. B	SIZE A4	QC :Inspection Item	

**Amphenol LTW**  
安費諾亮泰企業股份有限公司

ITEM NO UB-20PMFP-SC8001	DRAWN BY Gao Ling	DATE 2007/11/15
DWG NO UB-20PMFP-SC8001	CHECKED BY Jill	DATE 2007/11/19
CUSTOMER ALTW	APPROVED BY Lion	DATE 2007/11/20