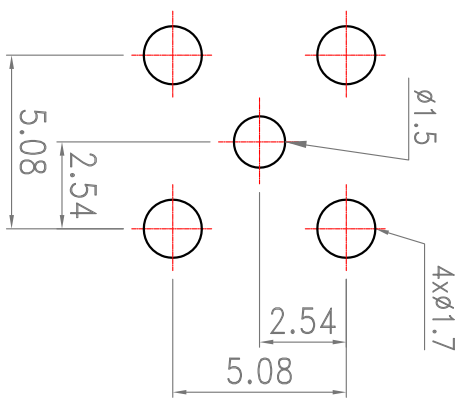
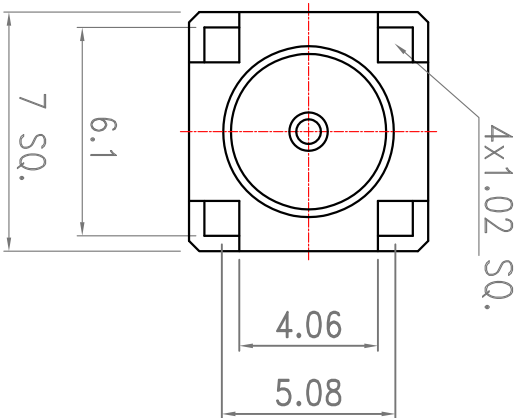
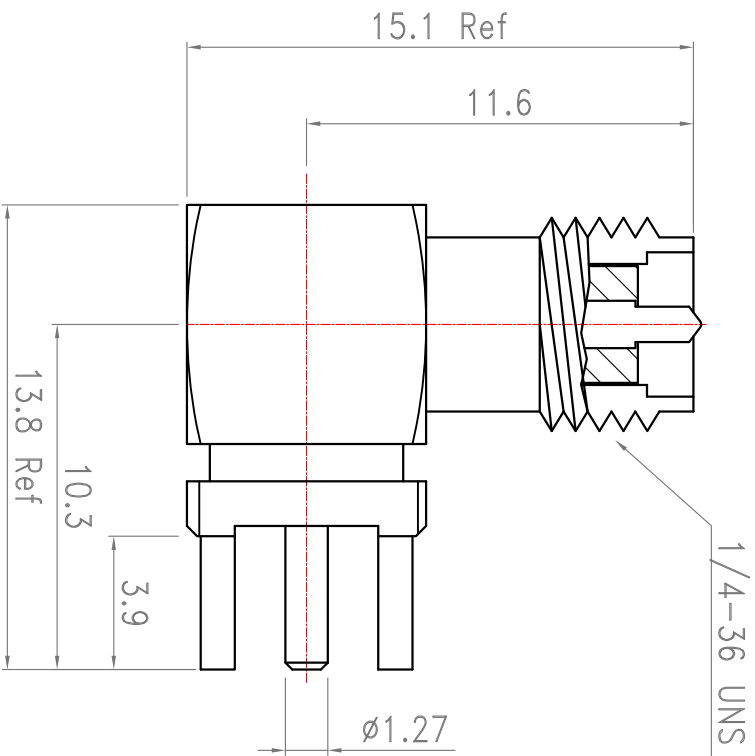


Revisions

ISS	Symbol	Description	Date
B		CHE for New Drawing Frame & New PN System	2006/07/10

Note: Revisions B: B-1; B-2;..... On Behalf of Official Drawing.
 Revisions 1; 2; 3; 4;..... On Behalf of Experiment's Drawing.

Outline Drawing



Recommended PCB Layout

- Finish : [Plating Thickness Unit in Micro Inch(μ)]
1. Nickel Plating Thickness : 120 μ "
 2. Copper Strike Plating Thickness : 20 μ "
 3. Gold Plating Thickness : 10 μ "
 4. Gold plating Thickness : Gold Flash

*Change new drawing frame in Blue Color since 2009/07/01 , to comply with Company CIS Policy.

RoHS COMPLIANCE

ITEM	Description	Material	Finish	Part Number	QTY
6					
5					
4					
3	Pin	Brass	Finish 2/1/3		
2	Insulator	PTFE	None		
1	Body	Brass	Finish 2/1/4		

Scale	Abbr.	Date	Rev.
NTS	ST	2010/12/20	B

Drawn	Checked	Approved
<i>Mark</i>	<i>Rygon</i>	<i>g. Jun</i>
2010/12/20	2010/12/20	2010/12/20

Proprietary/Note
 This document contains information proprietary to S-Comm, which is either copyrighted, or patent applied for, and /or protected by trade secret laws.
 This document or parts thereof, may not be used disclosed or reproduced in any form by any method, or for any purpose, without the written permission of S-Comm, Taiwan
 Customer P/N:

DWG.NO. **RS209L0G24**

TITLE: **RP SMA R/A Jack, PCB Type**

S-Comm Enterprise Co., Ltd.
 ISO 9001 Certified