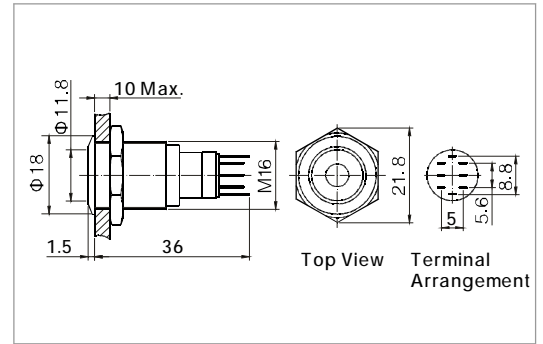


# METAL PUSHBUTTONS

## DOT ILLUMINATED PUSHBUTTON



- ⊙  $\Phi$  16mm diameter
- ⊙ 3A/250VAC
- ⊙ 1NO1NC/2NO2NC
- ⊙ Front Shape: Flat Round
- ⊙ Crust material: Stainless Steel
- ⊙ Dot Illuminated
- ⊙ IP Degree: IP67



SW - GQF11DxS6 - IP67

Specification		SW - GQF11DxS6 - IP67
The Front Shape		Flat Round High Round
Terminal Type		Pin Terminal(1.8×0.4mm)
Switching		No.3
Max.Switch Rating		3A/250VAC
Contact Resistance		≤50mΩ
Insulation Resistance		≥1000MΩ
Dielectric Strength		2000VAC
Operation Temp.		-20°C ~ +70°C
Mechanical Life		1,000,000cycles
Electrical Life		50,000 cycles
Contact Material		Silver Alloy
Panel Thickness		1 ~ 10mm
Torque		5 ~ 14Nm
Operation Temp.		5.5N
IP Degree		IP67
Material	Button	Stainless Steel
	Body	Stainless Steel
	Base	PBT
RoHS		Made to order
LED Spec.	Type	Dot Illuminated(LED)
	Rated Voltage	6V / 12V / 24V / 110V / 220V
	Color	<span style="color: red;">R</span> <span style="color: green;">G</span> <span style="color: yellow;">Y</span> <span style="color: orange;">O</span> <span style="color: blue;">B</span> <span style="border: 1px solid black; padding: 0 2px;">W</span>
	Life	40,000 hours