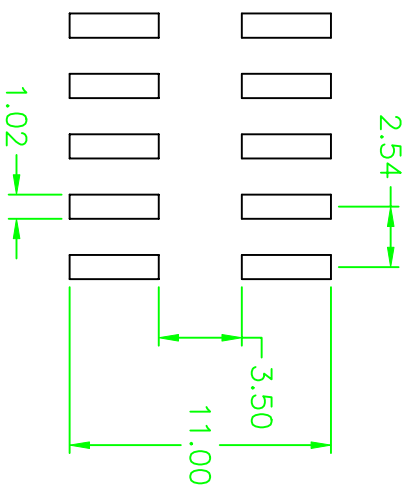


Specifications
 Current Rating: 3Amp
 Insulation Resistance: 1000MΩ Min.
 Dielectric Withstanding: 600VAC
 Contact Resistance: 20mΩ Max.
 Operating Temperature: -40°C to +105°C

Materials
 Contact Material: Copper alloy
 Insulator Material: Polyester, UL 94V-0 NYLON-6T

All materials must be GP materials

Recommended P.C. Board
 Layout



Ordering Information

G PHC204 - XX XX A 01 X

No. of Pins per Row: XX
 Contact Plating: 01=Tin, 02=Gold Flash Standard, Duplex Plating, 05=Gold flash/Tin
 COLOR: A=BLACK, B=GRAY, ...

格 稜 股 份 有 限 公 司
Greenconn Corporation

GENERAL TOLERANCE	
X. ± 5°	X. ±
X. ± 2°	X. ± 0.38
XX. ± 1°	XX. ± 0.25
XXX. ± 0.5°	XXX. ± 0.13

DRAWN: XIAO PING
 CHECK: _____
 APPROVE: _____

DATE: 09-13-04
 DATE: _____
 DATE: _____

DWG. NO.: G PHC204-A01
 PART NO.: G PHC204-XX XX A 01 X

TITLE: 2.54 BOX HEADER
 DUAL ROWS SMT TYPE
 BASE 9.10

REV.	UNIT	SCALE	SYMBOL
01	mm	3=1	