

微动开关

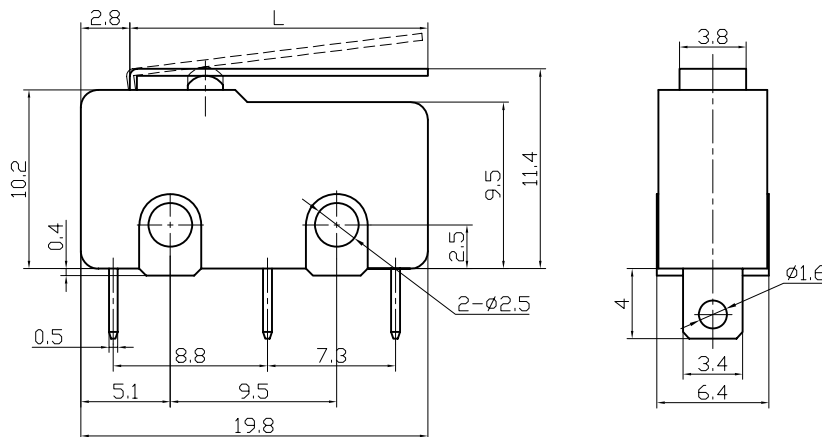
Micro Switches

型号(TYPE): MSW-12

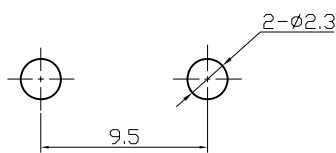
技术特性 (Specification)

1. 规格(Rating): 5A 125/250V AC
2. 接触电阻(Contact R): $30\text{m}\Omega$ max
3. 绝缘电阻(Insulation R): 500V DC $100\text{M}\Omega$ min
4. 耐电压(Dielectric Strength): 1 Minute 1500V AC
5. 环境温度(Ambient Temperature): $-25^{\circ}\text{C} \sim +80^{\circ}\text{C}$
6. 电气寿命(Electrical Life): 100,000 Cycles

外型图 (Outline Drawing)



安装尺寸 (Mounting)



电路图 (Circuitry)

