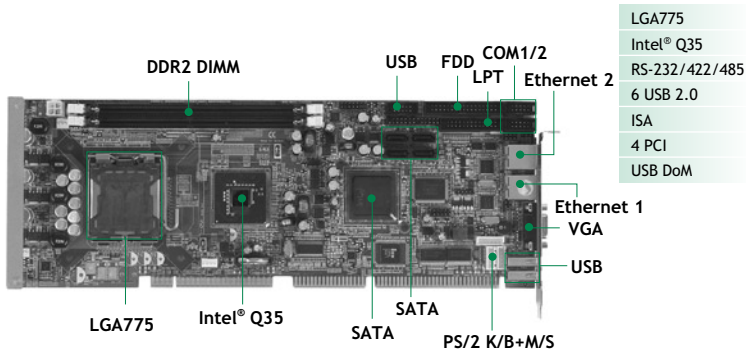


SBC81205

LGA775 Intel® Core™2 Quad PICMG 1.0 Full-size CPU Card with Intel® Q35 + ICH9 Chipset, VGA and Dual LANs



System

CPU	LGA775 socket for Intel® Core™2 Quad/ Core™2 Duo/ Celeron® processors with FSB 800/1066/1333 MHz
System Memory	2 x 240-pin DIMM supports DDR2-667/800 max. up to 4 GB
Chipset	Intel® Q35 + ICH9
BIOS	Phoenix-Award
SSD	N/A
Watchdog Timer	255 levels, 1-255 sec.
Expansion Interface	4 x 32-bit PCI bus masters 16-bit ISA bus
Battery	Lithium 3V/220 mAh
Power Requirements	Intel® E5200@ 2.6 GHz, 1GB DDR2 +5V_SBY @ 34mA, +3.3V @ 77mA, +5V @ 2.902A, +12V (System) @ 207mA, -12V @ 27mA, +12V (CPU) @ 1.318A
Size	338 x 122 mm
Board Thickness	1.6 mm
Temperature	0°C ~ +60°C (32°F ~ 140°F), operation
Relative Humidity	10% ~ 95% relative humidity, non-condensing

I/O

MIO	1 x FDD 1 x PS/2 keyboard 1 x PS/2 mouse 1 x LPT; with SPP/EPP/ECP supported 1 x RS-232 (COM 1) 1 x RS-232/422/485 (COM2)
SATA	4 x SATA-300
Hardware Monitoring	Detect CPU/system temperature, voltage and fan speed
Ethernet	2 ports as 10/100/1000Mbps support Wake-on-LAN, RPL/PXE Boot ROM with Realtek RTL8111B
Audio	HD Codec audio as MIC-in/Line-in/Line-out/speaker-out with audio kit AX93242 (optional)
USB	6 x USB 2.0
SMBus	N/A

Features

- LGA775 socket for Intel® Core™2 Quad/ Core™2 Duo/ Celeron® processors with FSB 800/1066/1333 MHz
- Intel® Q35 + ICH9 chipset
- 2 DDR2 DIMM support up to 4 GB memory
- Intel® Q35 GMCH integrated graphics media 3100
- ISA high drive supported

Display

Chipset	Intel® GMA 3100 graphics Core
Memory Size	Intel® DVM T 4.0 compliant
Display Interface	1 x VGA

Packing List

Standard		
Quick installation guide, user's manual/utility CD, cable		
Cable		
Part Number	Description	Qty
59380502000E	COM + Print cable w/ bracket	1
59381400000E	FDD flat cable	1
593826A0000E	SATA signal cable 500mm	1

Ordering Information

Standard	
SBC81205VGG (P/N: E381205100)	LGA775 socket PICMG 1.0 full-size CPU card with VGA, 2 10/100/1000Mbps Ethernet and 6 USB
SBC81205VG (P/N: E381205101)	LGA775 socket PICMG 1.0 full-size CPU card with VGA, 1 10/100/1000Mbps Ethernet and 6 USB
Optional	
E9C900B001	LGA775 P4 cooler 3-pin H: 66.8mm (RC)
593826A0000E	SATA signal cable 500mm
593836A0030E	4-pin power cable to SATA x 2, L=150mm
5938A808010E	2 x USB port cable, L=190mm
59380000290E	PS/2 keyboard & mouse cable with bracket
E393242100	AX93242-RC HD audio converter kit