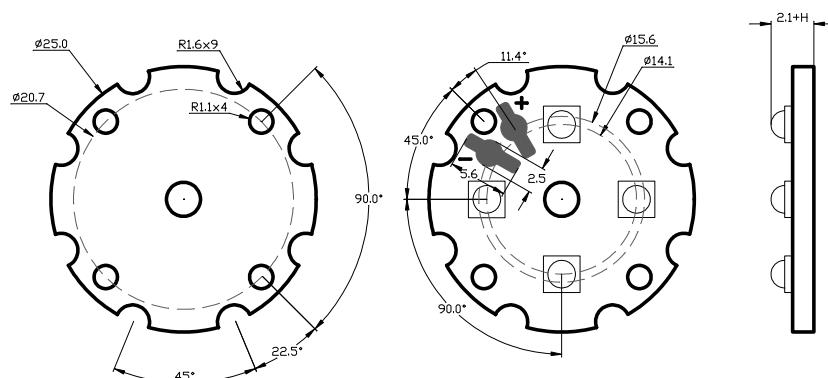


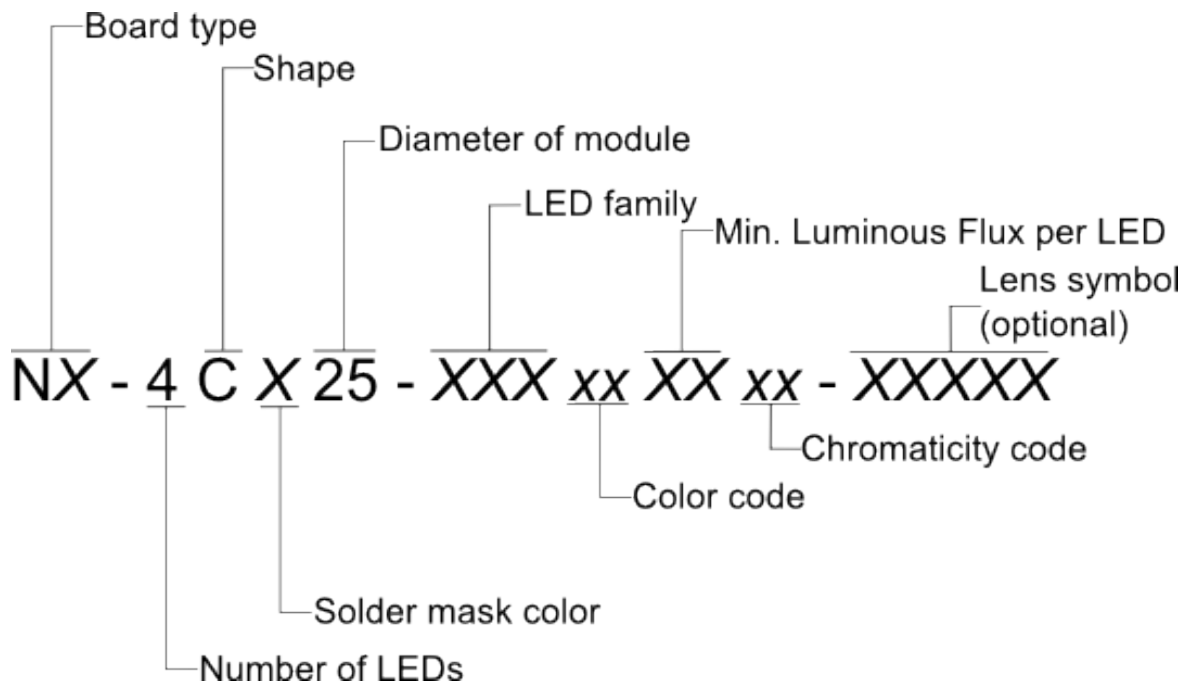
## SHORT DESCRIPTION

- Round MCPCB board with 25 mm diameter
- Four LEDs connected in series
- Designed for Cree Xlamp High-Power LEDs XP-C, XP-E, XP-E High-Efficiency and XP-G
- Compatible Lenses: LL04LU-DNXXL and LL04LU-DOXXL Ledlink families





## PRODUCT NOMENCLATURE



### Board Type<sup>1</sup>

NX - 4CX25- XXXxxXXxx- XXXXX

	H [mm]	Material	Dielectric thermal conductivity [W/(m·K)]	Dielectric thickness [μm]
<b>NV</b>	2	1060 Alloy	1.5	80
<b>NS</b>	1.6			
<b>NT</b>	2	5052 Alloy	2	60
<b>NC</b>	1.6			
<b>NM</b>	2	Cu	3	60
<b>NB</b>	2	5052	depends on design <sup>2</sup> 10÷50	60



## Shape

NX- 4C X25- XXXxxXXxx- XXXXX

Shape name	
<b>R</b>	Rectangular
<b>C</b>	Round
<b>S</b>	Star
<b>P</b>	Polygonal

## Soldermask Color<sup>3</sup>

NX- 4CX 25- XXXxxXXxx- XXXXX

Color name	
<b>B</b>	Black
<b>O</b>	Orange
<b>W</b>	White

## LED Family

NX- 4CX25- XXX xxXXxx- XXXXX

	Description	Suggested Board Type
<b>XPC</b>	Cree Xlamp XP-C Type	NV, NS, NT, NC, NM
<b>XPE</b>	Cree Xlamp XP-E Type	NV, NS, NT, NC, NM
<b>XHE</b>	Cree Xlamp High-Efficiency XP-E Type	NV, NS, NT, NC, NM
<b>XPG</b>	Cree Xlamp XP-G Type	NT, NC, NM



## Color

NX- 4CX25- XXXxx XXxx- XXXXX

		CTT Range [K]		
	Color name	CTT Range [K]		Led families
		min	max	
<b>WC</b>	Cool White	5000	10000	XPC, XPE, XHE <sup>4</sup> , XPG <sup>5</sup>
<b>WO</b>	Outdoor White	4000	5300	XPE, XHE <sup>6</sup> , XPG
<b>WN</b>	Neutral White	3700	5000	XPC, XPE, XHE, XPG
<b>80</b>	80-CRI White	2600	4300	XPE, XHE, XPG
<b>WW</b>	Warm White	2600	3700	XPC, XPE, XHE, XPG
<b>85</b>	85-CRI White	2600	3200	XPE, XHE, XPG
<b>90</b>	90-CRI White	2600	3200	XPE, XHE, XPG

		Dominant Wavelength [nm]		
	Color name	Dominant Wavelength [nm]		Led families
		min	max	
<b>BR</b>	Royal Blue	450	465	XPC, XPE
<b>BL</b>	Blue	465	485	XPC, XPE
<b>GR</b>	Green	520	535	XPC, XPE
<b>AM</b>	Amber	585	595	XPC, XPE
<b>RO</b>	Red-Orange	610	620	XPC, XPE
<b>RE</b>	Red	620	630	XPC, XPE

## Minimal Luminous Flux per LED

NX- 4CX25- XXXxxXX xx- XXXXX

Please refer to proper CREE Binning & Labeling documentation (located at <http://www.cree.com/products/xlamp.asp>) paragraph "Luminous or radiant flux group".

## Chromaticity

NX- 4CX25- XXXxxXXxx - XXXXX

Please refer to proper CREE Binning & Labeling documentation (located at <http://www.cree.com/products/xlamp.asp>) paragraph "Chromaticity or dominant-wavelength group".



## Lens Symbol (optional)<sup>7</sup>

NX- 4CX25- XXXxxXXxx- XXXXX

Following table contains some of example lenses for nGine.

Family	Example	Mounting	Manufacturer
LL04LU-DOXXL	<b>DO15L, DO25L</b>	Put in	
LL04LU-DNXXL	<b>DN15L, DN25L</b>	Put in	

## Ordering Code Example

**NV-4CB25-XPCWCQ3WC** – 2 mm 1060 Alloy board with black soldermask, 4 XPC cool white LEDs in series, Q3WC bin,

**NV-4CB25-XHEWWQ38B4-DO40L** – 2 mm 1060 Alloy board with black soldermask, 4 XPE High-Efficiency warm white LEDs in series, Q38B4 bin, LL04LU-DO40L Ledlink lens.

## ENVIROMENTAL CAUTION



It is prohibited to dispose of obsolete and waste electrical and electronic equipment together with regular household wastes. They should be properly sorted and recycled. old electrical and electronic equipment should be returned to a waste collection point established by a waste-management service. Waste electrical and electronic equipment can be broken down to base materials and then recycled. For more information regarding waste management please contact your local authorities waste-management service or the seller of electrical and electronic devices.

## NOTES

- <sup>1</sup>Another thickness available on request.
- <sup>2</sup>Blind holes technology.
- <sup>3</sup>Another soldermask color available on request.
- <sup>4</sup>Max. CCT Range 8300 K.
- <sup>5</sup>Max. CCT Range 8300 K.
- <sup>6</sup>Min. CCT Range 2600 K.
- <sup>7</sup>More lenses available on request.