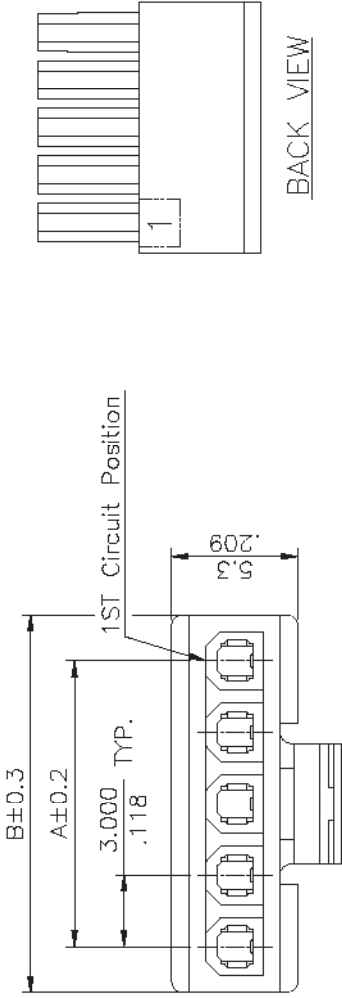


Material : PBT, UL 94V-0

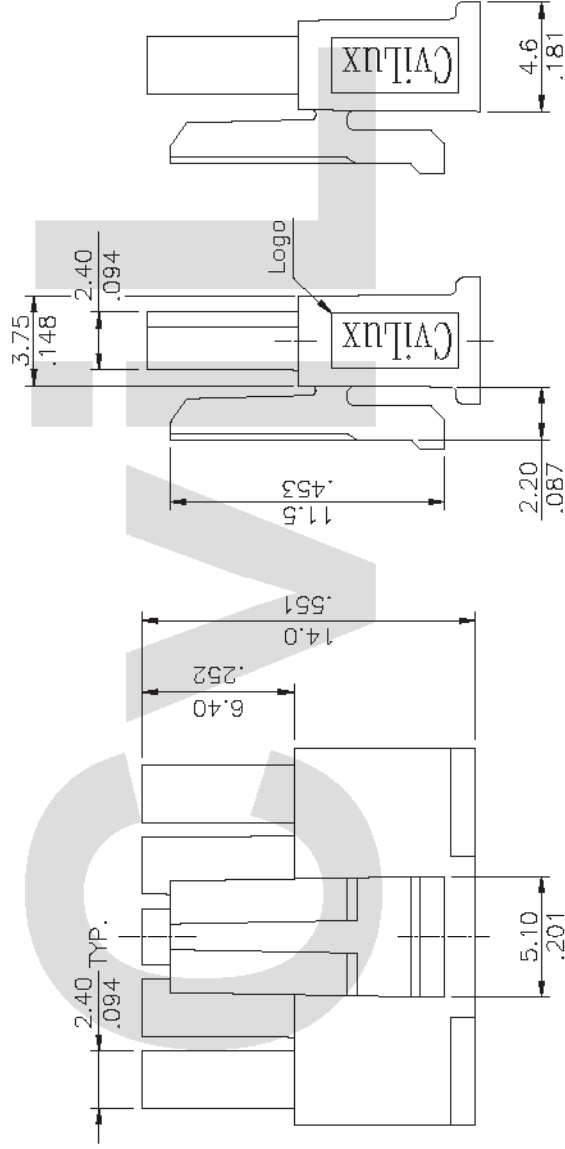
**Ordering Code:**

CP35 \*\* S 001 S  
 ① ② ③ ④ ⑤

- ① Series No.
- ② Connector: 02 to 12
- ③ Contact type: S = Receptacle
- ④ Color: 001 = Color Black
- ⑤ Option: S= Single Row



BACK VIEW



Other Circuits      2 Circuits

Circuits	Dimension	
	A	B
2	3.00(.118)	6.9(.272)
3	6.00(.236)	9.9(.390)
4	9.00(.354)	12.9(.508)
5	12.00(.472)	15.9(.626)
6	15.00(.591)	18.9(.744)
7	18.00(.709)	21.9(.862)
8	21.00(.827)	24.9(.980)
9	24.00(.945)	27.9(1.098)
10	27.00(1.063)	30.9(1.217)
11	30.00(1.181)	33.9(1.335)
12	33.00(1.299)	36.9(1.453)

④ ③ ② ① SYM	DATE	DATE	UNIT: mm / inch	TITLE: 3.00mm PITCH POWER CONNECTOR FEMALE HOUSING	瀚荃股份有限公司 CvILUX Corporation		
	DRAWN BY: Sandy	08/03-06	TOLERANCE UNLESS OTHERWISE SPECIFIED .X ±0.30/.012    X" ± 1" .XX ±0.20/008    .X" ± .XXX ±0.10/004    .XX" ±	MATERIAL:		DRAWING NO. CP3547SA    PART NO. CP35**S001S	
	ENGINEER: Easley	08/07-06				SCALE 3 / 1	SHEET 1 OF 1
	CHECKED BY: David	08/07-06					
	APPROVED BY: Alex	08/07-06					
	REVISIONS						

CVILUX CORP.  
 2006.08.15  
 ISSUED