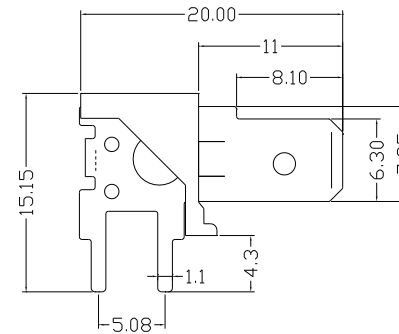
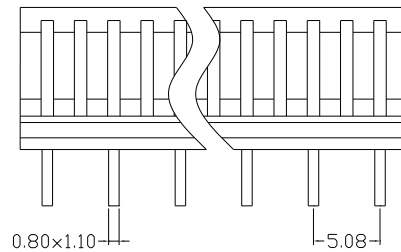
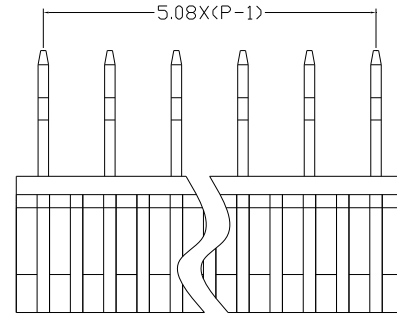
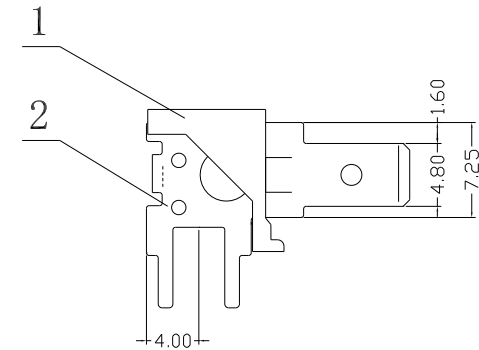


序号/RevNo.	名称/Title	文件编号/File No.
1	XY256塑件	
2	XY256R端子	



A型



B型

250V 25A

Poles: any poles

Pitch 5.08mm/7.62mm/10.16mm

Materials

Housing: PC

Solder Pin: Brass, 0.8t, Tin Plated.

设计/Designed by	绘图/Drawing by	审核/Checked by	批准/Approved by	未注公差 General Tolerance	
				x. ±0.2	x.° ±2°
		图名/Title	文件编号/File No.	.x ±0.1	.x° ±1°
		XY256R产品图	页序/Sheet	.xx ±0.05	.xx° ±0.5°
				.xxx ±0.01	
		备注/Remark		单位/Units: mm	

序号/RevNo.	更改记录/Revision note	签名/Signature	日期/Date
-----------	--------------------	--------------	---------