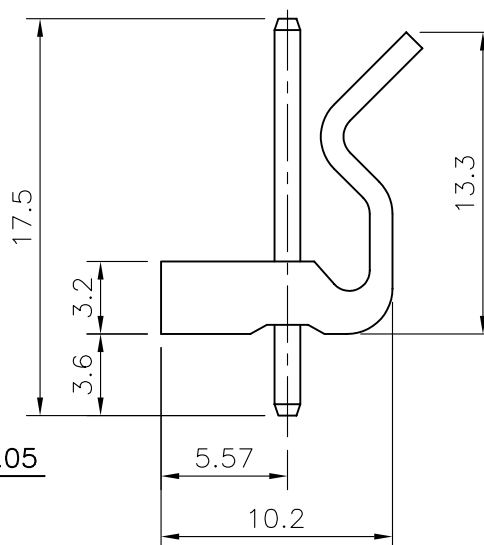
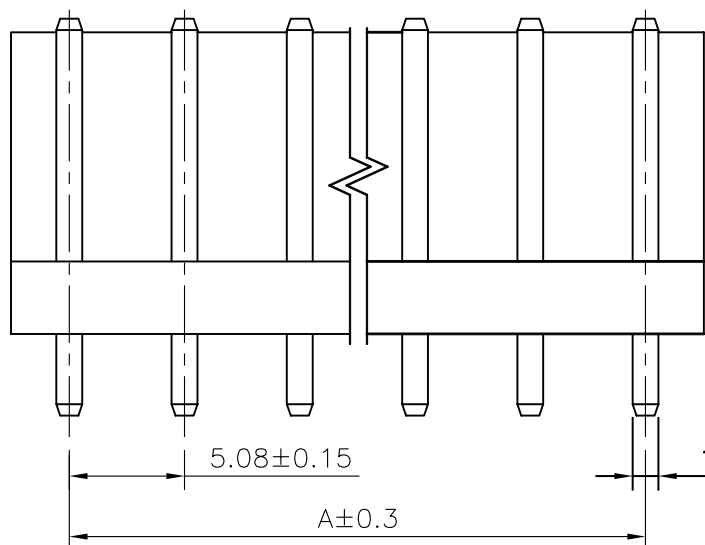


■ SPECIFICATIONS

- Voltage rating : 250V AC/DC
- Current rating : 7A AC/DC
- Withstanding voltage : 1,500V AC/minute
- Insulation resistance : 1,000MΩ min.
- Temperature range : - 25°C to + 85°C
- Contact resistance : 20mΩ max.

■ WAFER

- Part No. : JS-5081-XX (Straight)
- Poles : 2 - 10
- Material : Contact : Brass, Tin Plated  
Base : Nylon 66 UL94V-2
- Q' ty : 1,000 pcs./Bag



Poles	Part No.	Dimensions(mm)	
		A	B
2	JS-5081-02	5.08	10.22
3	JS-5081-03	10.16	15.30
4	JS-5081-04	15.24	20.38
5	JS-5081-05	20.32	25.46
6	JS-5081-06	25.40	30.54
7	JS-5081-07	30.48	35.62
8	JS-5081-08	35.56	40.70
9	JS-5081-09	40.64	45.78
10	JS-5081-10	45.72	50.86

5.08mm Disconnectable crimp style connectors Wafer			 喬訊電子工業股份有限公司 CHYAO SHIUNN ELECTRONIC INDUSTRIAL LTD.			TOLERANCE	
ECR	200310-002	2003/10/7	APPROVED BY	DATE	SCALE	.0 ±0.3 .00 ±0.2 .000 ±0.1	
			林陳鑠	2003/10/07	3:1	PART NO	
			CHECKED BY	UNIT		JS-5081-XX	
			林勇生	mm			
			DRAWN BY	VER. NO.	SIZE		
LTR	REVISION RECORD	DATE	邱森鴻	B1	A4		