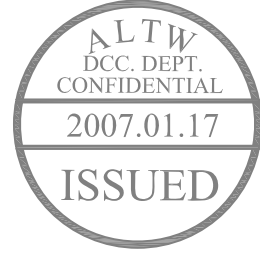
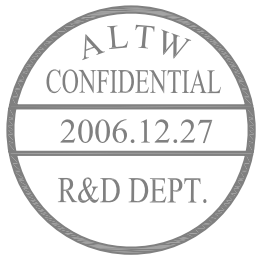
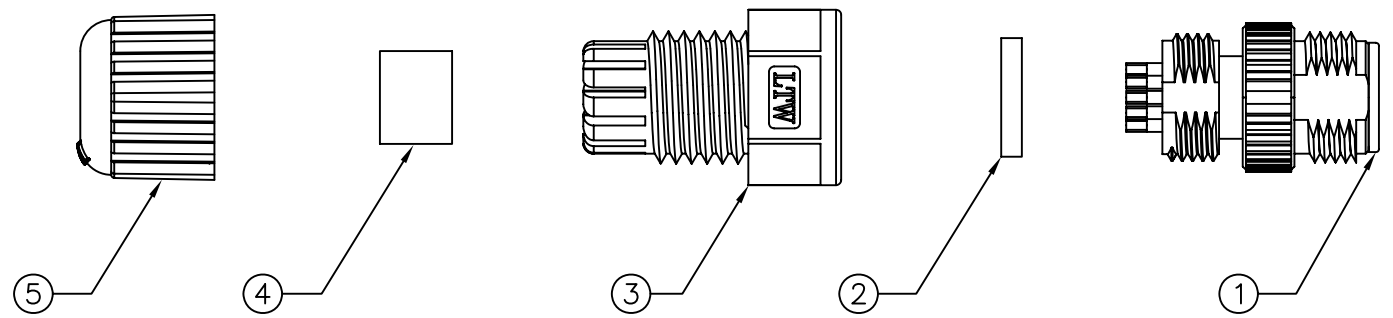


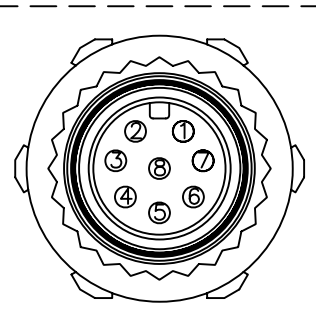
5	6	7	8
REV.	ECN NO.	DATE	SIGN
			DESCRIPTION

THIS DOCUMENT IS SUBJECT TO CHANGE WITHOUT NOTICE. IT IS CONFIDENTIAL AND A PROPERTY OF Amphenol LTW. DISCLOSE TO THIRD PARTY HAS TO BE AUTHORIZED BY Amphenol LTW.

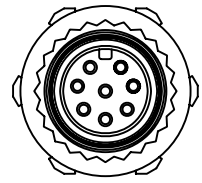
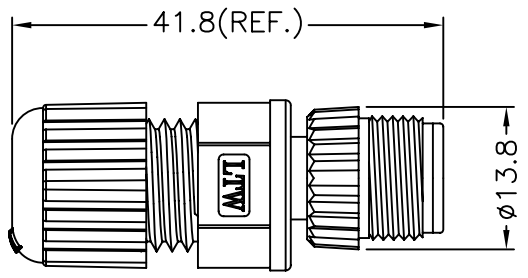


Note:

- * Ⓞ Important Dimension To Check.
- * Waterproof Rate: IP68
- * Housing: Black, Nylon+GF
- * Pin: Copper Alloy, Gold Plated
- * Nut: Black, Nylon+GF
- * Gasket: Black, EPDM
- * Clamp Ring: Black, Nylon
- * Sealing Nut: Black, Nylon
- * Seals: Black, EPDM
- * Seal For Cable OD: $\phi 4.5\text{mm} \sim \phi 6.5\text{mm}$



Pin Assignments
Front View



Conn.

UNIT:mm 	TITLE M12 Conn Assy Screw 8Pin M Conn M Pin		Amphenol LTW 安費諾亮泰企業股份有限公司	ITEM NO 12P-08BMMA-SL8001	DRAWN BY Jason Manas	DATE 2006/12/27
	TOLERANCE $\pm 0.5 \text{ mm}$	SCALE Free		SHEET 1 OF 1	DWG NO 12P-08BMMA-SL8001	CHECKED BY Michael Cerenado
REV. A	SIZE A4	Ⓞ : Inspection Item		CUSTOMER ALTW	APPROVED BY Max	DATE 2006/12/28