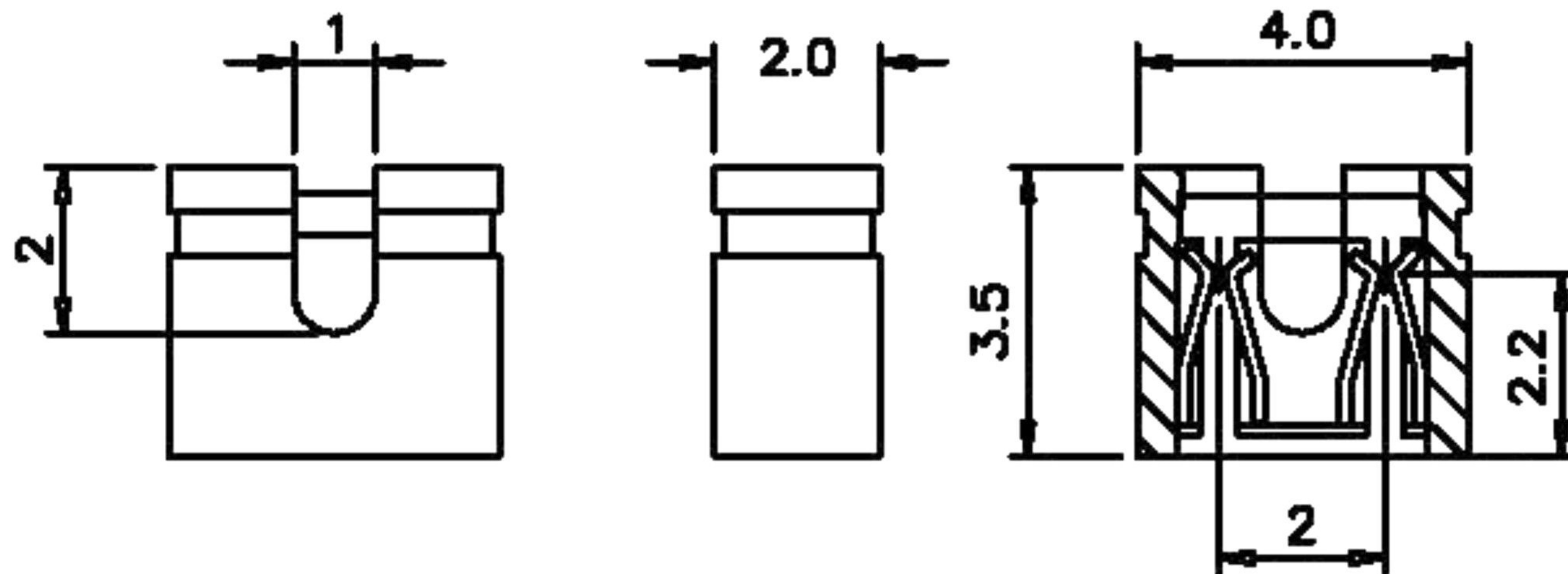


\*以下圖示塑膠公差皆為±0.20  
金屬件公差為±0.05



CONTACT  
POINT

**FEATURES**

Double tuning fork type contact guarantees high reliability.  
2.0MM pitch Low-Profile mini type Match to 0.5mm sq. posts.

**MATERIAL**

.Insulator..... P.B.T. 4130-104F 30%G/F(UL 94v-0)  
.Contact.....Gold Plated  
.Terminal.....5191 Phosphor Bronze

**SPECIFICATIONS**

.Current Rating:1 amperes MAX  
.Contact Resistance: 30m ΩMAX  
.Insulation Resistance: 1000 megohms MAX  
.Dielectric Withstanding Voltage: AC 550 volts RMS at sea level

RoHS Compliant		<b>HSM</b> 玄茂科技股份有限公司 HSUAN MAO TECHNOLOGY CO., LTD.	
APPD. 核准 HELEN	 TOLERANCE 容許公差 .0 ± .00 ± ANG. ± SCALE 比例 參考 UNIT 單位 MM SIZE. 紙張尺寸 A4	PART NAME 品名 2.0mm MINI JUMPER 2P H:3.5mm OPEN TYPE GOLD PLATING ROHS	
DWG. 製圖 ABBY		DATE 制表日 2012/09/11	PART NO. 料號 C9700-02AAGB00R
PAGE 張數 1 OF 1		REV. 版次 B	