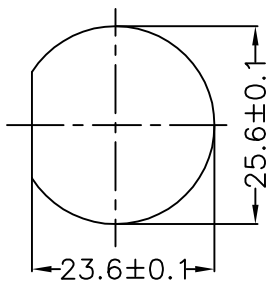
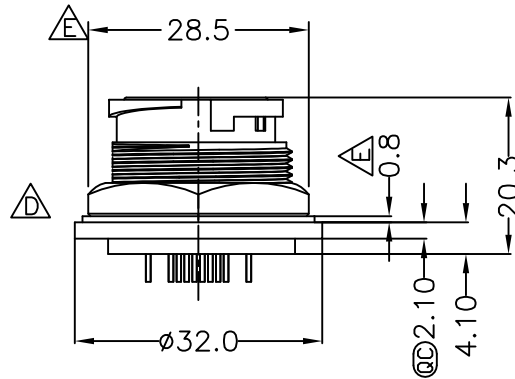
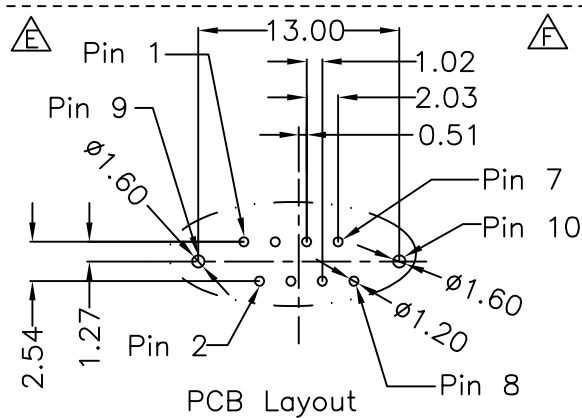
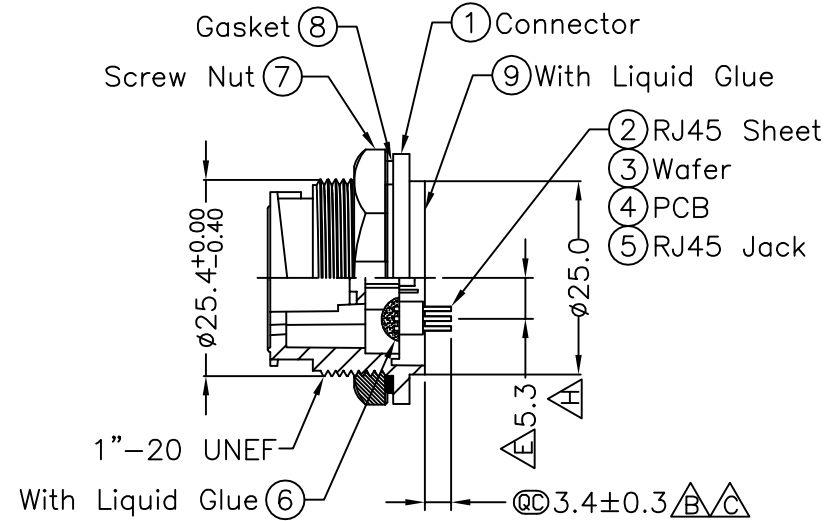
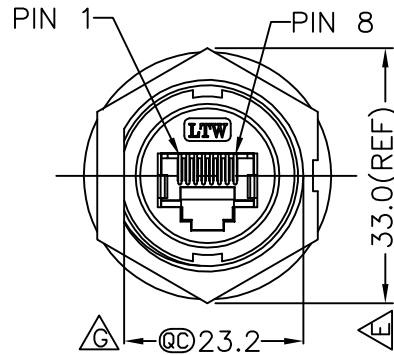


| REV. | ECN NO. | DATE | SIGN | DESCRIPTION |
|------|------------|------------|------------|-------------------------|
| F | LEN-920106 | 2009/02/09 | Tommy | Change Dimension. |
| G | LEN-9B0092 | 2009/11/04 | Li Xiu Zhi | Change 23.20 to 23.2mm. |
| H | LEN-080032 | 2010/08/02 | Zhang Xing | Change Dimension. |



Recommended Panel Cut-Out

Note:

- * @C Important Dimension.
- * Waterproof Rate:IP67.
- * Connector:Nylon+GF,Black.
- * PIN 9 & PIN 10 is Shielding/Ground Pin.
- * RJ45 Sheet:Nickel Plated.
- * Wafer:Black.
- * RJ45 Jack:White.
- * Liquid Glue:Black.
- * Screw Nut:Nylon+GF,Black.
- * Gasket:EPDM,Black.
- △* Use without Waterproof Cap or Dust Cap For Panel Thickness Max: 6.0mm.
- △* Use with Waterproof Cap or Dust Cap For Panel Thickness Max: 4.6mm.

| | |
|-----------|-------|
| UNIT:mm | |
| TOLERANCE | |
| .X | ±0.25 |
| .XX | ±0.1 |
| .XXX | ±0.05 |
| ANGLES | ±1° |

| | |
|--|-----------------|
| TITLE Large Size RJ45 Panel Conn. Shielded,Lock Type | |
| SCALE Free | SHEET 1 OF 1 |
| REV. H | SIZE A4 |
| @C :Inspection Item | |

Amphenol LTW
安費諾亮泰企業股份有限公司

| |
|------------------------------|
| ITEM NO RJS-5EPFFP-LC7001 |
| DWG NO RJS-5EPFFP-LC7001 |
| CUSTOMER ALTW |

| |
|------------------------|
| DRAWN BY Zhang Xing |
| CHECKED BY Tina |
| APPROVED BY Can |

| |
|--------------------|
| DATE 2010/08/02 |
| DATE 2010/08/02 |
| DATE 2010/08/02 |

THIS DOCUMENT IS SUBJECT TO CHANGE WITHOUT NOTICE. IT IS CONFIDENTIAL AND A PROPERTY OF Amphenol LTW. DISCLOSURE TO THIRD PARTY HAS TO BE AUTHORIZED BY Amphenol LTW.