

MATERIALS:

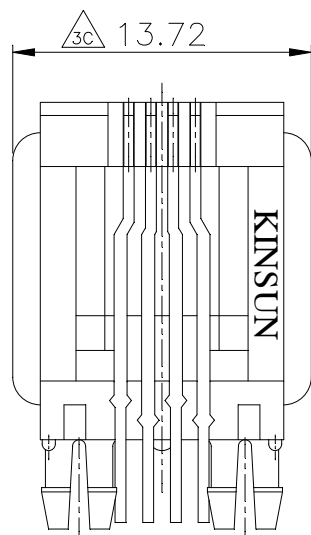
PLASTIC HOUSING: ENGINEERING THERMOPLASTIC

FLAMMABILITY RATING UL 94V-0.

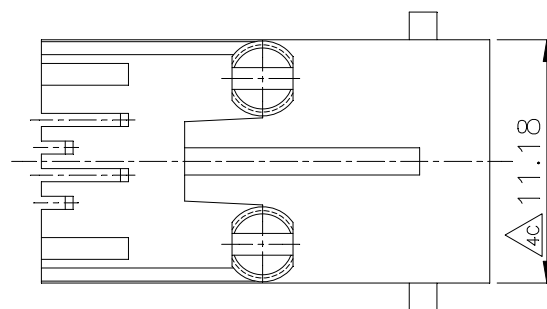
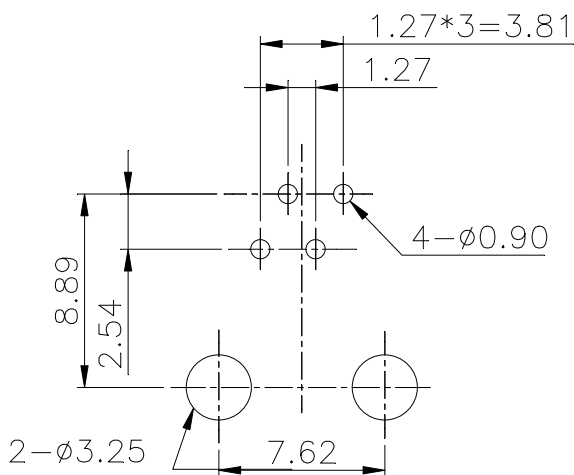
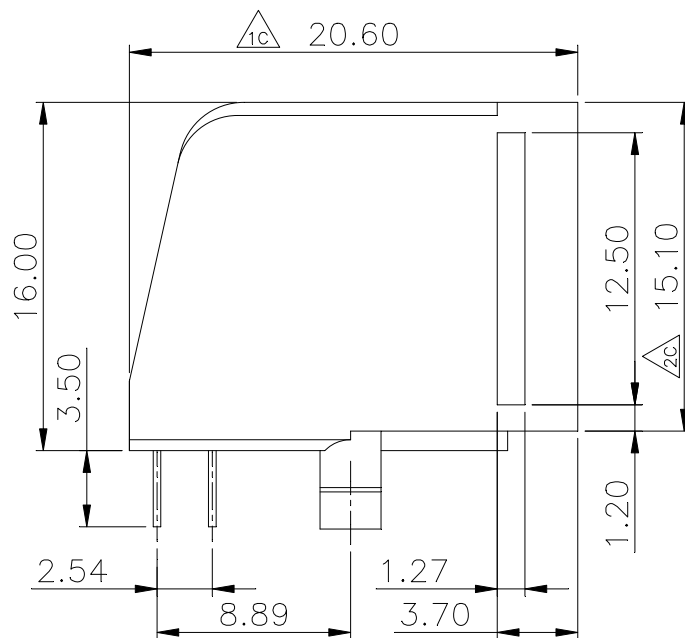
CONTACTS: PHOSPHOR BRONZE

PLATING: GOLD PLATING OVER NICKEL IN CONTACT.

TIN PLATING OVER NICKEL IN SOLDER AREA.



PCB LAYOUT/TOP VIEW



※ 凡標註記號者，為品管檢驗之尺寸

6u" P/N 3001131100

15u" P/N 3001131200

30u" P/N 3001131300

50u" P/N 3001131400

設計 DR. LILY 88-09-28	核准 APPD. Jerry	容許公差 .XXX ±0.10 .XX ±0.25 .X ±0.38 X ±0.50 ANG ±3°	TOLERANCE	品名 ARTICLE SIDE ENTRY PCB JACK(4P4C)
版本說明 REVISION NOTE				圖號 DWG NO. 3001131100
KINSUN 慶陞		單位 UNIT mm	比例 SCALE 3/1	張數 SHEET 1/1
				版本 REV. A