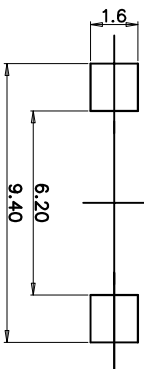
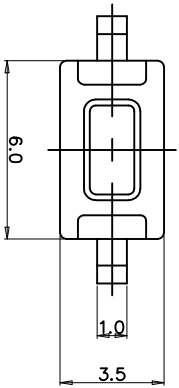


PCB LAND DIMENSION

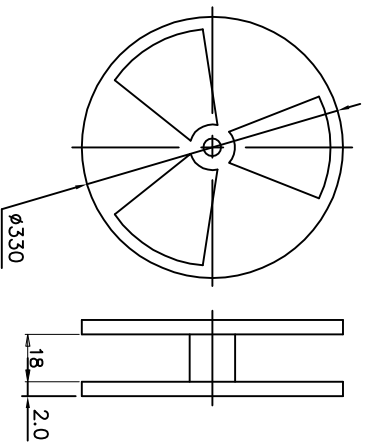
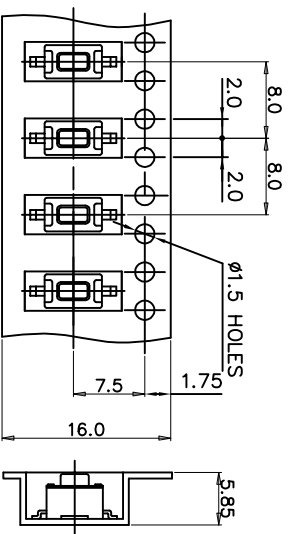
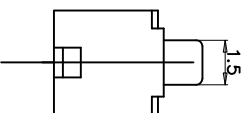
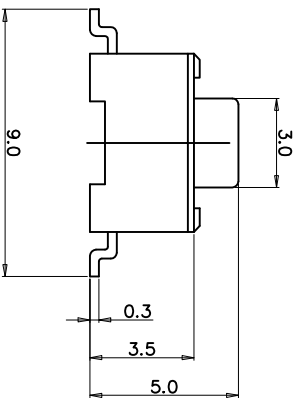


CIRCUIT DIAGRAM



NOTE

1. OPERATING FORCE : 250±50gf
2. RATING : DC 12V 0.5A
3. TRAVEL : 0.25-0.3mm/m
4. CONTACT RESISTANCE : 100mΩ MAX
5. GENERAL TOLERANCE : ±0.3
6. MANUFACTURING SPECIFICATION WOULD BE ACCORDANCE WITH HTO203
7. THE QUANTITY PACKAGED PER REEL IS 1,500
8. PITCH: 9mm



| PART NO | PART NAME  | Q'TY              | MATERIAL | STANDARD | DISPOSITION | REMARKS                       |
|---------|------------|-------------------|----------|----------|-------------|-------------------------------|
| △       |            |                   |          |          |             | TACT SWITCHES                 |
| △       |            | TRIGON-<br>OMETRY |          |          |             |                               |
| △       |            | APPD              | CHKD     | DSGD     |             |                               |
| △       |            |                   |          |          |             |                               |
| △       |            |                   |          |          |             |                               |
| NO      | CORRECTION |                   |          |          |             | MODEL<br><b>INT-1101S50BP</b> |